



BALI

- Ⓔ **ES** MANUAL DE INSTRUCCIONES ORIGINAL
- Ⓔ **GB** ORIGINAL USER GUIDE
- Ⓔ **FR** MANUEL ORIGINAL D'UTILISATION

C/ Albuñol, par.250
Pol. Ind. Juncaril,
18220 ALBOLOTE (Granada) ESPAÑA
Telf: (+34)958 490 410
Fax: (+34) 958 466 645
info@simasa.com
www.simasa.com

"EC" DECLARATION OF CONFORMITY

SIMA, S.A.

Polígono Industrial Juncaril, C/ Albuñol, Parcela 250 C. P. 18220 Albolote, Granada (SPAIN)
Company responsible for manufacturing and commercialising the below specified machine:

MATERIALS TABLE SAW

DECLARES:

That the above mentioned machine designed for masonry cutting of stone and other construction materials is in conformity with all applicable provisions of the Directive of Machines (**2006/42/CE**) and the national applicable regulations.

The machine is also in conformity with EC applicable provisions:

2006/95/CE; 2004/108/CE; 2000/14/CE; 2002/44/CE; 2002/95/CE; 2002/96/CE

The machine is also in conformity with the provisions of the following applicable norms

UNE-EN 292-1; UNE-EN 292 -2; UNE-EN 294 ; UNE-EN 349 ; UNE-EN 60204-1; UNE-EN 12418
UNE-EN 1050 ; UNE-EN 953

Details of the authorized person to elaborate the technical file

Eugenio Fernández Martín
Technical Department Manager

SIMA S.A.
Polígono Industrial Juncaril, C/ Albuñol, Parcela 250 - 18220 Albolote, Granada (SPAIN)

Albolote 01.01.2010



Signed:
Javier García Marina
Managing Director

ÍNDEX

"EC" DECLARATION OF CONFORMITY	2
1. GENERAL INFORMATION	4
2. GENERAL DESCRIPTION OF THE MACHINE	4
2.1 PICTOGRAMAS.....	5
3. TRANSPORTATION	6
4. ELECTRICAL PLUGGING AND ADJUSTING THE BLADE ROTATION SENSE ...	6
5. ELECTRICAL EQUIPMENT	7
6. SECURITY RECOMENDATIONS.	8
7. MACHINE DESCRIPTION	9
8. MOUNTING AND DISMOUNTING THE CUTTING BLADE	10
8.1 MOUNTING/REPLACING THE CUTTING BLADE	10
9. MACHINE STARTING-UP AND USING INSTRUCTIONS	11
9.1 ASSEMBLY INSTRUCIONS.....	11
9.2 FILLING THE TRAY WITH WATER	13
9.3 POSITION OF THE MACHINE AND THE OPERATOR, CONNECTION AND DISCONNECTION	13
9.4 CHANGING CLOUMN POSITION FOR 300 500 / 450 / 400MM BLADE.	14
9.5 CUTTING HEIGHT AJUSTMENT.....	15
9.6 CUTTING LENGHT SWITCH	15
10. MAINTENANCE	16
10.1 BELT TENSION.....	17
10.2 ELT REPLACEMENT.	17
10.3 SETTING THE ANGLE OF THE BLADE.....	18
10.4 GUIDEWAY ALIGNMENT BLADE.....	19
11. SOLUTIONS TO MOST FREQUENT ANOMALIES	20
12. TECNICAL CHARACTERISTICS	21
13. WARRANTY	22
14. SPARE PARTS	22
15. ENVIROMENT PROTECTION.....	22
16. DECLARATION OF NOISES.	22
17. DECLARACIÓN SOBRE VIBRACIONES MECÁNICAS.	22
18. ELECTRICAL SCHEMES	23

1. GENERAL INFORMATION

WARNING: Please read and understand perfectly the present instruction before using the machine.

SIMA S.A. thanks you for your trust in our products and for purchasing the TABLE SAW model BALI.

This manual provides you with the necessary instructions to start, use, maintain and in your case, repair of the present machine. All aspects as far as the safety and health of the users is concerned have been stated. Respecting all instructions and recommendations assures safety and low maintenance. As such, reading this manual carefully is compulsory for any person responsible for the use, maintenance or repair of this machine.

As such, reading this manual carefully is compulsory for any person responsible for the use, maintenance or repair of this machine.

It is recommended to have always this manual in an easily accessible place where the machine is being used.

2. GENERAL DESCRIPTION OF THE MACHINE

SIMA Cutting Table Saws, Bali models, are designed and manufactured to be used at masonry building sites, in particular to cut until 20 cm high concrete blocks and other construction materials, mineral and compounds with at least one bearing side (tile, terrazzo, brick, marble, granite, concrete or ceramics shingle, stoneware... The cutting tool is a diamond blade powered by an electric motor and water cooled by a closed-circuit pump. The progress of the blade is done manually by moving the cutting head in the direction of the material to be cut. The Bali models are manufactured of high quality materials.

Any use other than the machine has been designed for is considered inappropriate and can be dangerous; therefore, it is expressly prohibited.

- Bali models are designed to solve the problem of cutting materials 20 cm high with the appropriate diamond blade.
- Enable to move the head up and down directions easily and manually way, through turning and blocking the head using the handle proportionate for the purpose
- The head of the motor keep the right balance even when the block is cancel due a spring.
- Its steel chassis avoid vibrations during cutting. Therefore we get a better efficiency of the diamond blade.
- The carry in sliding cart is build with V wheels tread design.
- A rubber protection is dispose on the sliding cart in its upper side to avoid the sliding of the material being cut.
- The machine has four demountable legs to facilitate its transport and handles for its displacement.
- The machine is protected with an anti-splatter screen to avoid the water splashing towards the back part of the machine where the cutting is being performed.
- Bali models have detachable legs to facilitate their transport.
- The action of the diamond blade is made through belts, getting a total silence.
- The frame of the machine is painted with a highly resistant anti-corrosion epoxy polyester paint.
- This machine has been designed and manufactured to cut with a water cooled diamond blade. The cooling is carried out by a closed-circuit electric pump with a constant water flow.
- The electric pump with a high impedance winding avoids its burning in normal conditions of use and certainly that it is always covered with water.

2.1 PICTOGRAMAS

Pictograms included in the machine entail the following:



- **USE SAFETY BOOTS**
- **USE HELMET AND EYE AND AUDITIVE PROTECTION**
- **READ INSTRUCTIONS MANUAL**
- **USE SAFETY GLOVES.**
- **SOUND POWER LEVEL ISSUED BY THE MACHINE.**
- **SOUND POWER LEVEL ISSUED BY THE MACHINE.**



Machine connected to 110V.



Machine connected to 230V.



Machine connected to 400V.



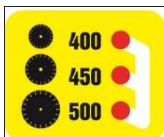
Hot surfaces.



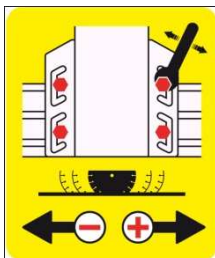
Entry not allowed to persons outside the labor. Warning cutting tool.



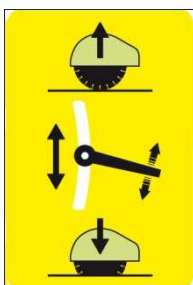
Minimum distance cutting unit.



Height of the cutting unit to 500, 450 and 400.



Cutting length adjustment..



Cut adjusting system

3. TRANSPORTATION

After unpacking the machine, it can be move it into the work place manually by two people.

It is recommended to empty the water from the tray before moving the machine to avoid splashing or spillage. It is also necessary to block the car to avoid unexpected slip during transport. Check also that they are fully tightened the screws holding the legs to the tray to avoid dislodging the raising machine.



4. ELECTRICAL PLUGGING AND ADJUSTING THE BLADE ROTATION SENSE

Upon receipt of the machine, make sure the network electrical tension is adequate before plugging the machine. The electrical tension is to be found on the voltage indication next to the switch of the machine.



ATTENTION: Never plug the machine to electricity, in case the network power tension is not the adequate as the engine would undergo irreparable damages.



Once you have realised the previous steps and before placing the blade and manipulate the motor, it is necessary to check and adjust the rotation of the motor axis correctly, you have to plug the machine to the electricity and start it up, watching the rotation direction that must be clockwise.

If necessary and with three-phase motors, you can change the rotation direction swapping the two phase wires in the aerial or in the peg of the feeding extension cord.



ATTENTION: Never manipulate power supply cables or any other electrical equipment on the machine before you unplug the machine from electricity.



ATTENTION: Unplug the machine from the network before proceeding to change the position of the bridge plates on the engines. You should also proceed to change the stickers indicating the supply voltage, so there will always be indicated on the machine rated voltage.



5. ELECTRICAL EQUIPMENT

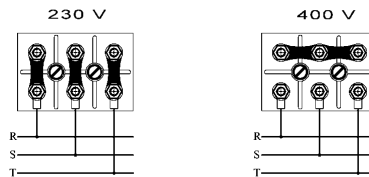
The electrical equipment of the SPADA MKNO cutting tables manufactured by SIMA, S.A. has an IP54 protection degree. The power supply on this machine has a low minimal tension coil to avoid any unexpected starting-up of the machine. When there is a power cut or a fall of tension that causes the machine to stop, and once the normal power conditions have been re-established, the motor does not start until the green button is pressed.



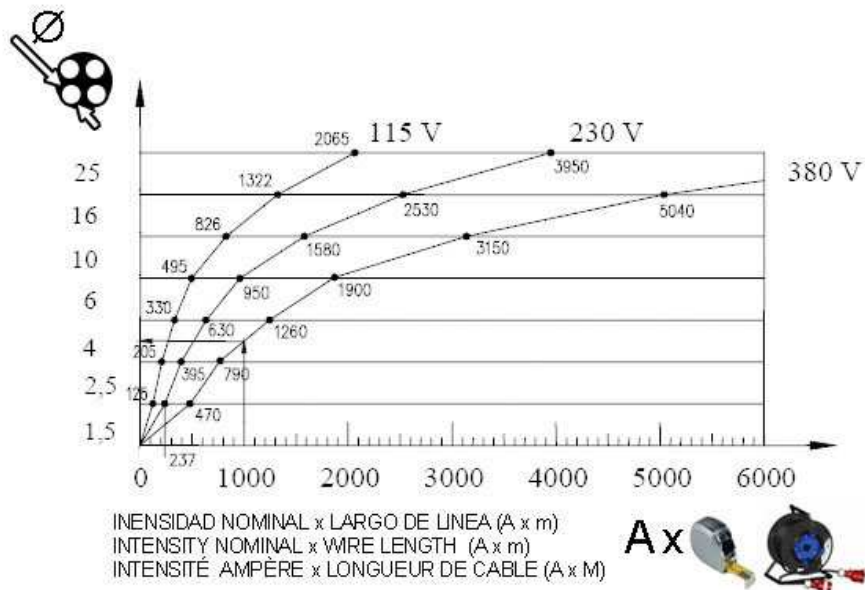
ATENCIÓN: The three-phase SPADA MKNO models leave the factory prepared to work at 400V.



ATENCIÓN: When necessary to use a three-phase power tension at 230V, we need to swap the positions of the bridge plates in the motor terminals box, as indicated in the following figure:




ATENCIÓN: The extension cable used to feed the machine needs to have a minimum section on the table as shown below



6. SECURITY RECOMENDATIONS.



The machines with electric motor should always be connected to a standard electrical box that has a circuit breaker and a Residual-current device in accordance with the characteristics of the engine (see table).

	
2.2kw/3 CV -230V	20A/300mA
3kw/4 CV - 230V	20A/300mA
3kw/4 CV - 400V	15A/300mA

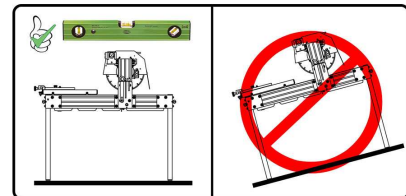


WARNING: Always use earth plug before starting-up the machine.

- Use normalised cables
- Make sure the feeding voltage is in accordance with the voltage indicated in the adhesive label on the machine.
- Make sure that the extension cords are not in contact with points of high temperature, oil, water, sharp edges.
- Do not use high pressure water to clean circuits or electrical elements.



- The damaged electrical cables should be urgently replaced.
- Mantengan en su posición los elementos y protecciones de seguridad.
- Always use approved protective items (gloves, helmet, goggles, boots)
- Turn the machine on the network and do not handle or operate on the mechanical and electrical machine with the engine running.
- Cutting table machines should be used by people who are familiar with its operation.
- It's not allow to access and manipulation of the machine to people who are not familiar with the machine before.
- Work clothes should not include loose clothing that could get caught in moving parts of the machine.
- Before starting the machine, read the instructions carefully and observe compliance with safety standards. Learn well how to stop the machine quickly and safely.
- Place the machine on a flat and well lit and you do not switch the machine on until it's got a balance position.



- Make sure the machine is in perfect technical condition and fully operational.
- Do not operate the machine if all the protections and safeguards are assembled which have been designed for that purpose.
- When moving the machine, always verify that engine and moving parts are blocked.
- Use only diamond blades specified in this manual.



This machine **MUST NOT BE USED IN THE RAIN**. Cover with waterproof materials. If the machine has been exposed in the rain check before connecting the electrical parts are not wet. **Always work with good lighting conditions.**

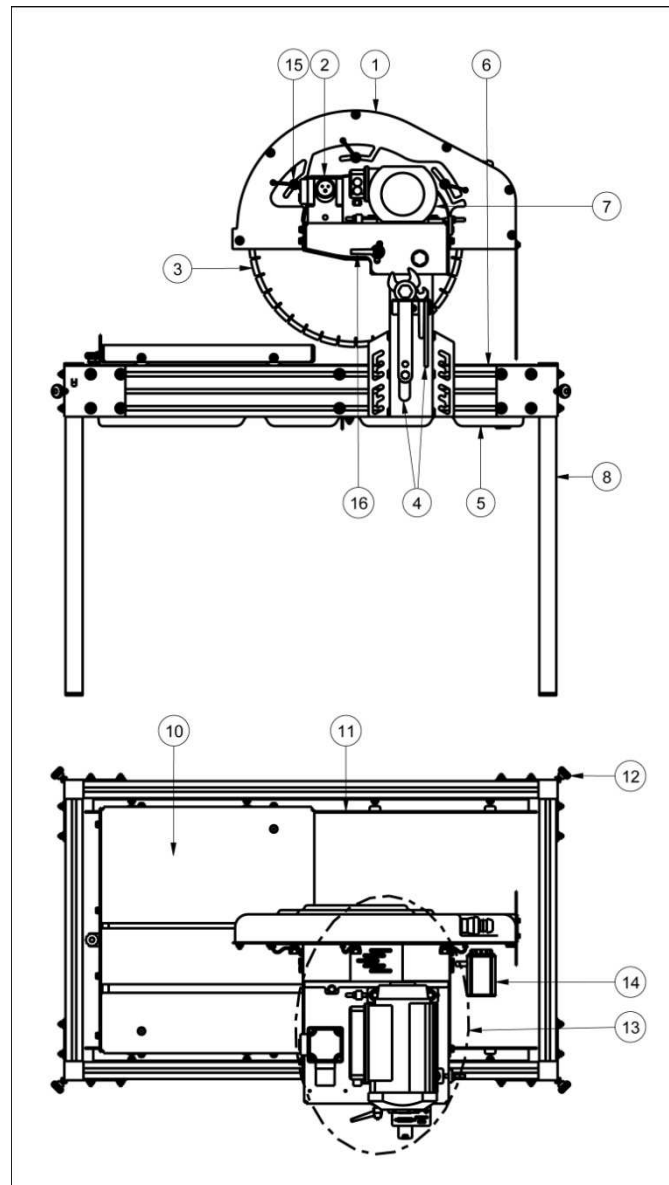


WARNING: You must follow all safety recommendations outlined in this manual and comply with regulations for the prevention of occupational hazards of each place

SIMA, S.A. is not responsible for the consequences possibly generated but the inadequate use of the materials cutting machine SPADA model.

7. MACHINE DESCRIPTION

1. Safeguard blade.
2. Switch.
3. Blade.
4. Tools.
5. Tray.
6. Framework.
7. Engine.
8. legs.
- 9.
10. Sliding cart.
11. Guideways.
12. Fixing knob feet.
13. Cutting unit.
14. Water pump.
15. Safeguard blade adjustment



8. MOUNTING AND DISMOUNTING THE CUTTING BLADE

BALI MKNO models are designed to use 400, 450 and 500 mm segmented diamond blades and continuous rim blades of diameter

The cutting blades have different properties depending on the material to cut. Hence, an adequate selection of the blade increases the performance and guarantees a better result.

Make sure the maximal supported revolutions by the blade are equal or superior to those of the machine's engine.

The blade is one of the most important elements in a table saw. A blade in good condition is essential to achieve optimal performance of the machine, replace worn or when it is twisted or cracked. Do not use any other blade other than that specified in this manual and see which has the characteristics required maximum diameter central hole diameter and the maximum speed supported.

Note that within the group of diamond blades are different types depending on the material being cut, always choose the most appropriate for you.

For all the above, we recommend always using SIMA Original blades that meet the technical requirements and safety requirements and are offered in a range that covers all the needs and facilitates the correct choice.

8.1 MOUNTING/REPLACING THE CUTTING BLADE

The blade can be mounted or replaced as follows:

- Make sure the power supply cable of the machine is disconnected.
- Remove the blade safeguard of the cutting bridge of the machine loosening the screws that fix it.
- Introduce the hexagonal key in the nut Block the rotation of the axis inserting the pricker key in the bore placed outside, untighten the axis nut and remove the outer bridle.

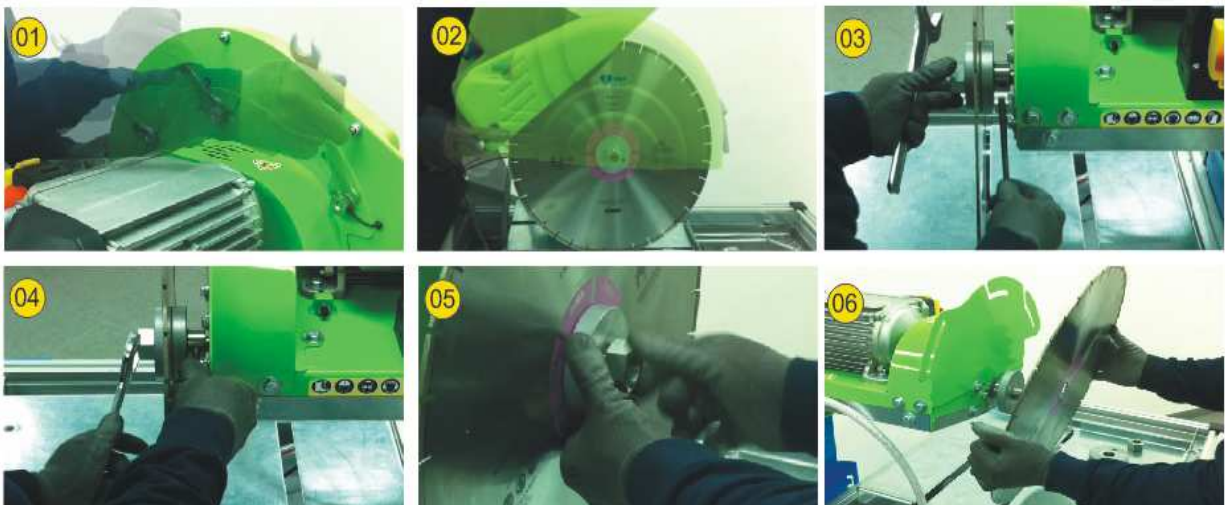
WARNING: The nut is left-threaded

- Place the blade on its axis ensuring it is well centered and perfectly located.
- Place the exterior bridle back and tighten the axis nut using the set of keys used before.
- Check the coupling between the blade and the bridles before tightening the nut.
- Place the safeguard back in its position and tighten well the screws fixing the cutting head.
- To dismount the blade, proceed in the inverse sense.



ATTENTION: Remove all the used tools, making sure that all the elements of the machines have been mounted in the correct position.

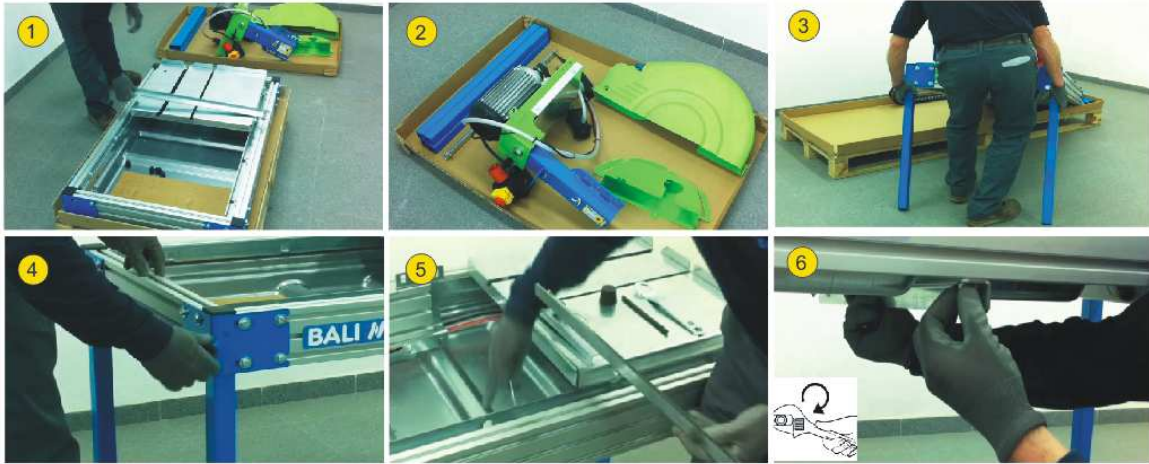
- You can plug the machine to the mains.



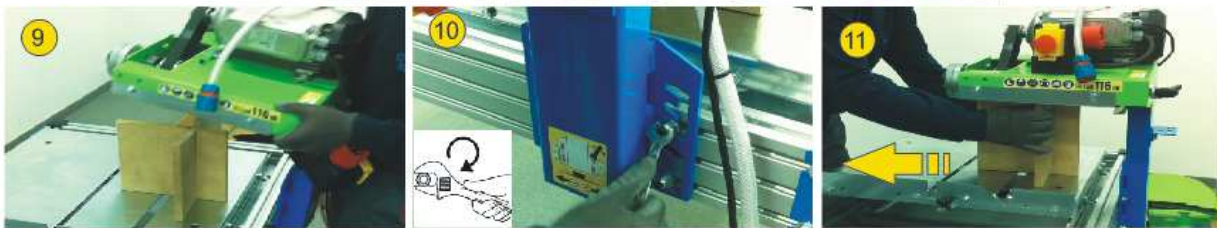
9. MACHINE STARTING-UP AND USING INSTRUCTIONS

9.1 ASSEMBLY INSTRUCTIONS

1. Place the tray out of all components, assemble the legs leaving them fixed with the knobs. Then mount the bottom of the chassis reinforcement.



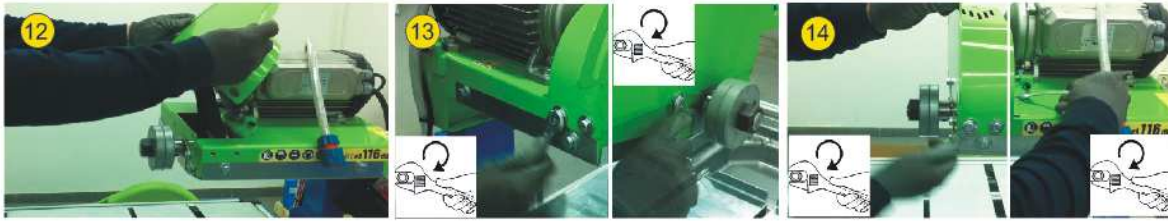
2. Mount the accessory board and place it on the sliding car to support the cutting unit. The cutting unit should be placed on the side that wear the following adhesive. Tighten the cutting unit with 4 screws.



3. Then mount the switch, fit the wires through the hole in the guideways.



4. Mount the pulley protection and secure with screws.



5. Now mount the blade. To do this, remove the nut and outer flange. Place the disc on the shaft reassemble the outer flange. Tighten the nut tightly, roll the blade out and make sure it is well balanced and makes no strange movement.




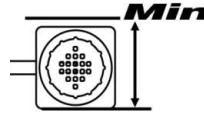
6. Mount the safeguard blade and fix it with three knobs.




9.2 FILLING THE TRAY WITH WATER

BALI MKNO cutters are designed to work with water-cooled diamond chains, so that a significant part of its structure is a tray designed to serve as a reservoir of cooling water which is pumped in closed circuit to the blade.

 **WARNING:** Before connecting the machine to the network to begin any cutting operation should proceed to fill the tray to the level sufficient to cover the pump completely



During cutting operations accumulate lots of dirt on the tray so the water should be changed as often as necessary to ensure the smooth operation of the pump and the perfect cooling of the blade, the tray features a drain plug that facilitates this operation.

 **WARNING:** Do not forget to wash the pump at the end of each day. To do this, unscrew the circular battery, immerse the pump in a bucket of clean water, plug the machine and circulate the water until fork clean water for cooling, disconnect the machine and screw back the cap to the pump.

9.3 POSITION OF THE MACHINE AND THE OPERATOR, CONNECTION AND DISCONNECTION

The machine needs to be installed in well illuminated, stable and plane surface, free from any obstacles.

Before starting-up the machine, we should have gone through all necessary safety measures (electrical connection, stability, protections, etc....) as mentioned in the previous chapters.

When installing the machine, make sure the table on which it will be placed should be a horizontal, non bland surface.

This machine is not to be used under rain and always work in good illumination conditions.

To start cutting, the operator should stand in from of the machine. In this position, the operator can easily manage the cutting head and the piece to be cut. He/she will also have easy access to the electrical plug.

Once the power supply cable is connected, the motor and the water puma start-up only by pressing the green switch button.

The machine can be stopped, simply by pressing the red switch button.



The piece to be cut is placed resting on the top front of the machine the rule may be placed on either side of the piece as needed, and the cut will run manually pushing the machine to drive.

Start slowly and progress according to grade the depth of cut and material hardness. An excessive advance may lead to a faulty cutting or blocking the blade.

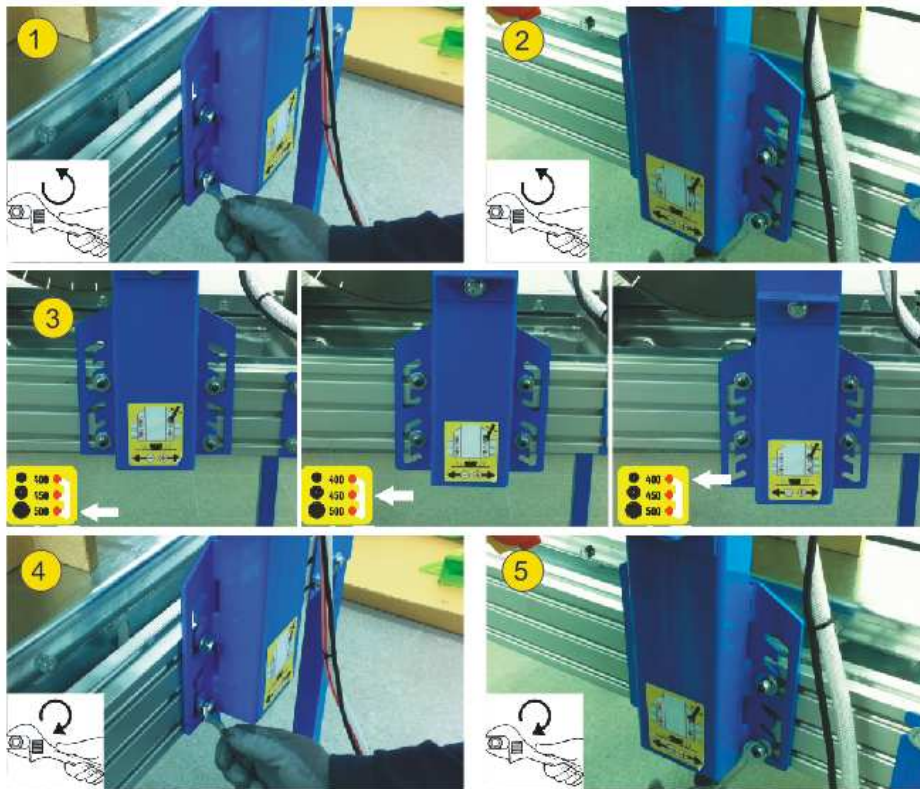
The coolant pump is started simultaneously with the engine. Before approaching the material to make sure it receives the necessary water.



9.4 CHANGING CLOUMN POSITION FOR 300 500 / 450 / 400MM BLADE.

To use blades of diameter 400,450 and 500mm will have to adjust the cutting unit at different heights. Proceed as follows:

- Loosen four screws that secure the column.
- Raise or lower the column as needed.
- Tighten the four screws.
- Mount the new blade and its safeguard.

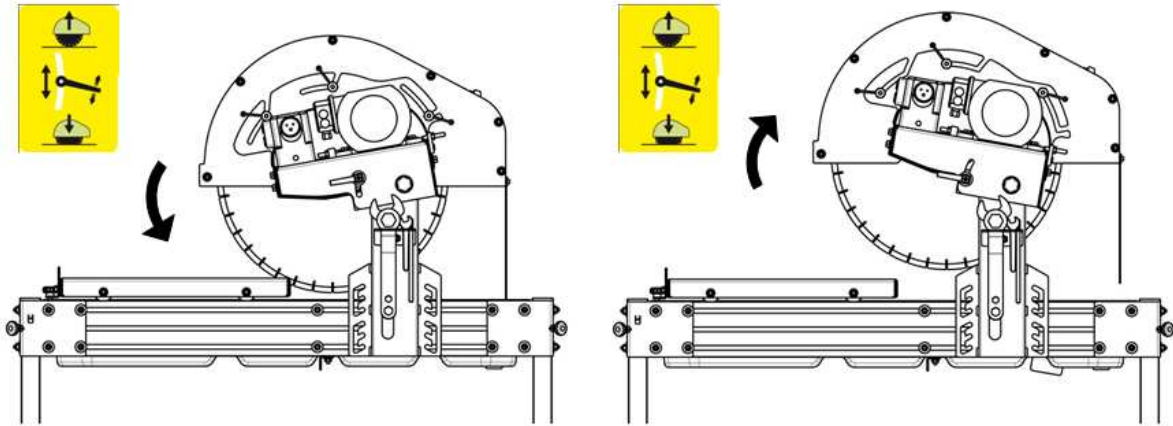


WARNING: Never use the machine in a position lower than the mounted blade, since in that case could cut the sliding cart..

9.5 CUTTING HEIGHT AJUSTMENT.

To adjust the cutting height more accurately or to make cuts of more than 20cm with double pass, you must do so through authorized to handle it.

1. Loosen handle.
2. Raising or lowering the head.
3. Tighten handle.
4. Insert the protection blade in horizontal position using three knobs

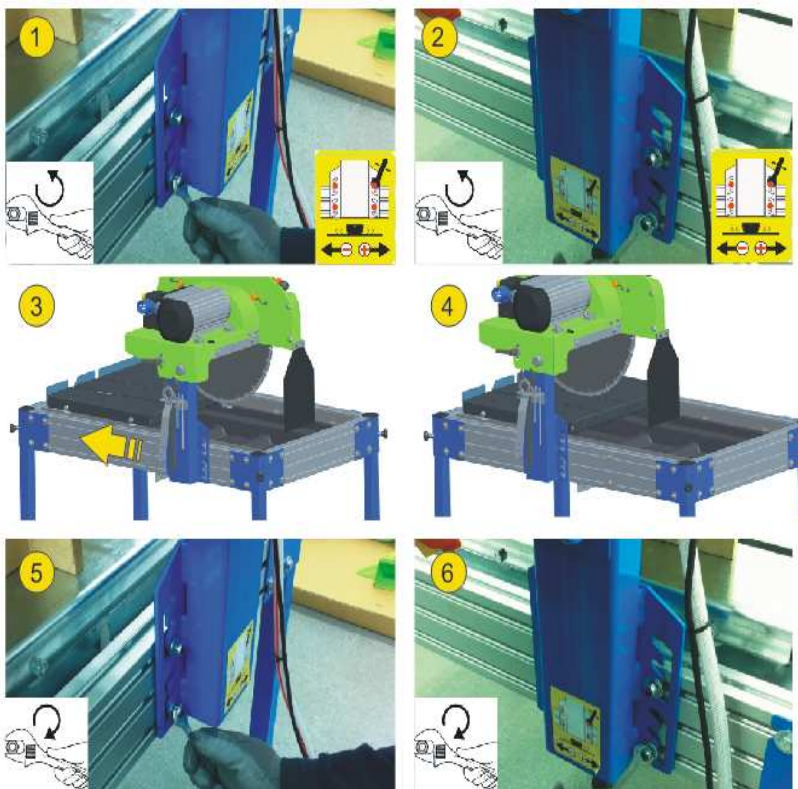


Warning: Make sure to select the right blade height so never cut the slinding cart.

9.6 CUTTING LENGHT SWITCH

To change the length of cut when is more convenient to work when the cut length is small, BALI MKNO has the ability to move the cutting unit along the side of the machine. To change the cutting length proceed as follows.

- Loosen the 4 screws as shown on the sticker.
- Move the cutting unit to the desired position and retighten the screws.



10. MAINTENANCE

BALI MKNO table saws require a simple maintenance as per the following operations:

- Change the tray water and clean the machine as much as needed. The tray has a tap for this use. It is necessary to fill the tray with water until the pump is covered with water.
- Although the cooling pump has a filter cap, it may get in dirt and debris inside of the cut material to block the propeller. To prevent this, periodically run the pump in a container with clean water for several minutes. If necessary, unscrew the filter cap and clean the propeller until it turns freely.
- Remove all possible residuals of cut materials that can cling into the rolling tracks of the cutting bridge.
- Replace as soon as possible electrical cables that cause power cuts, breaking or any other disrepair.
- If the machine is not covered, wrap it with an impermeable cloth.
- At the end of each day, unplug the machine.
- Maintenance operations should be performed by people who the machine and its functioning.

Before performing any maintenance or cleaning operations, the electricity cable should be unplugged.

In case you observe any anomalies or mal functioning, let a technician check the machine.

Take into account the safety recommendations mentioned in this manual.



It is prohibited to independently make any change in some parts, components or characteristics of the machine. SIMA, S. A. shall in no case be responsible for the consequences that may derive from a breach of these recommendations.

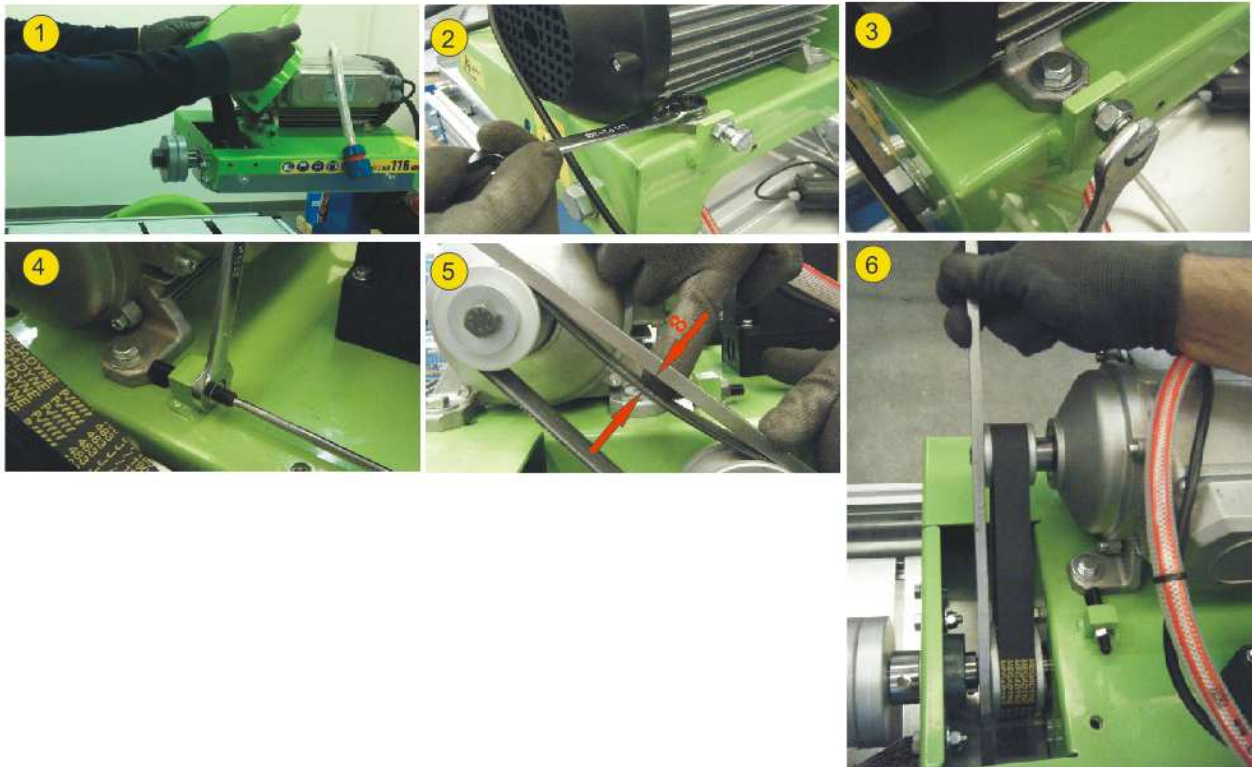
10.1 BELT TENSION.

With use and time, the belts are stretched, so they begin to skate and degrade prematurely. To tighten the belt, proceed as follows:



WARNING: Unplug the machine from the network prior to tightening.

1. Remove safeguards.
2. Loosen the screws on the motor.
3. Act on the tense belt tensioners and checking with a ruler the arrow of elasticity as shown in the picture.
4. Check with a rule that the pulley motor shaft and pulley are aligned to prevent the belt to get off the track when you turn the engine.
5. Tighten all screws and mount the safeguards.



10.2 ELT REPLACEMENT.

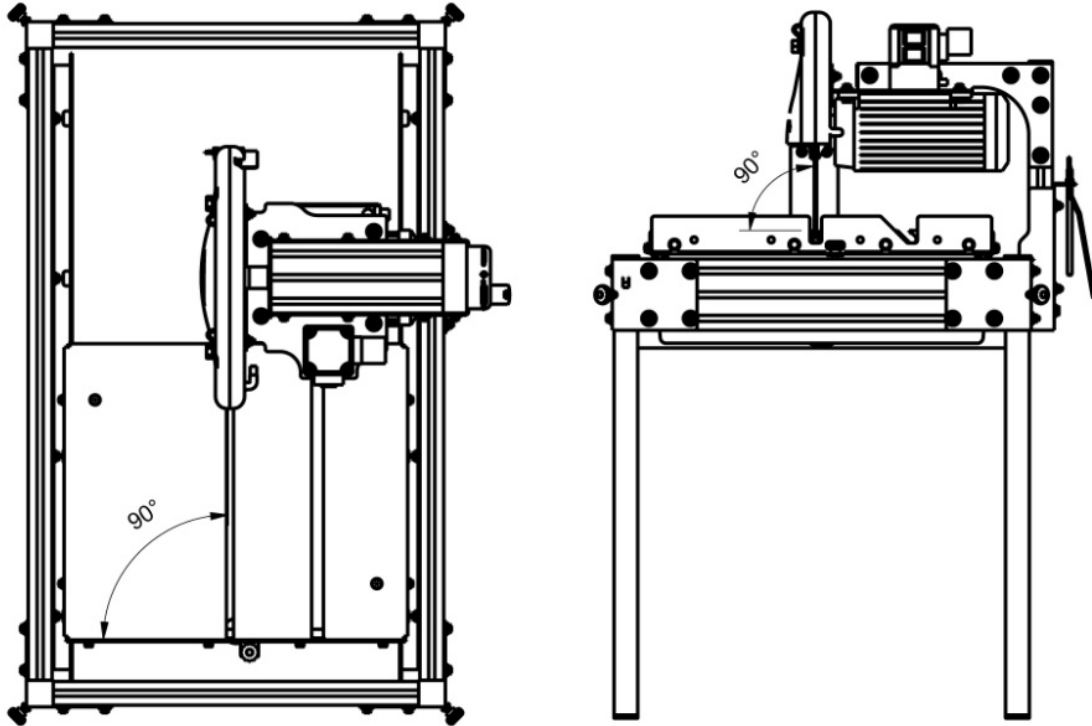
1 To replace the belt, will proceed as in the preceding paragraph and shall also removing the bearings to be replaced.

2 Once the belt is replaced, reassemble the bearings and before tightening, align the cut as described in section **10.4**.



10.3 SETTING THE ANGLE OF THE BLADE

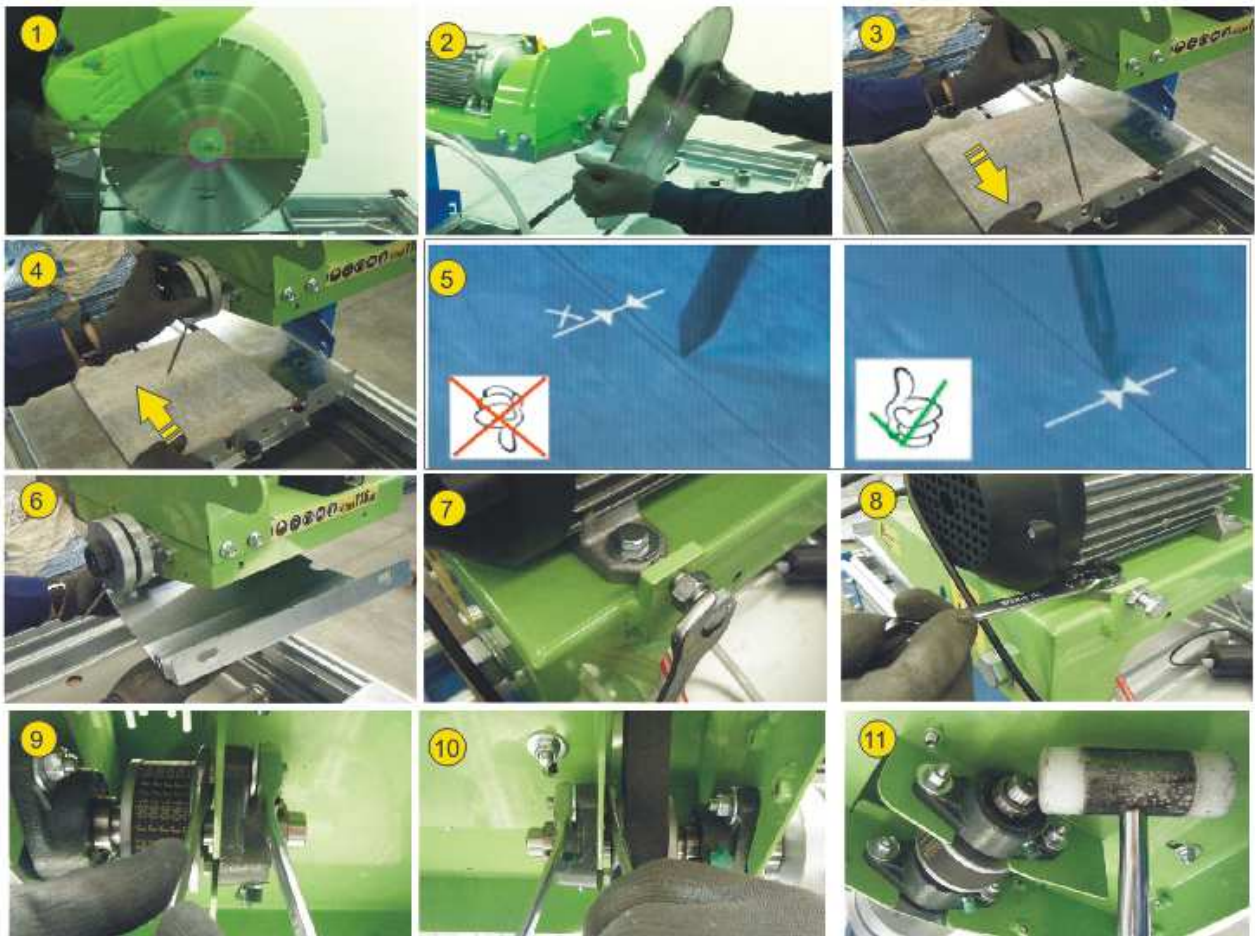
The cutter BALI MKNO model are shipped well regulated so that when mounting the blade cut at an angle of 90 ° with the car in the vertical and horizontal. If for some unforeseen blow or any other cause to be off, go to the nearest service center for repair.



10.4 GUIDEWAY ALIGNMENT BLADE

To perform this operation is necessary to provide a steel rod with 4 or 5mm diameter and 400mm long approximately sharpened at one end in the form of pencil-point. Also need a piece of ceramic (tile or sandstone) and white chalk. It will proceed as follows:

- Unplug the machine from electricity and remove the blade safeguard.
- Loosen the blocking controls from both ends and with the square located on the cutting table and facing the front side of the blade, you need observe the parallelism of both.
- Place the rod between the flanges for fixing the blade and tighten the axle nut, so that the pointed end of the rod friction with the work piece in the area marked with chalk.
- Move the sliding cart so that the rod makes a straight line on the tile.
- Then turn the shaft so that the rod be on the opposite side move the tray in reverse way to the one perform before in order to draw a new line, this must match exactly with the first,
- If both lines are mismatched, to loosen the screws on the blade spindle bearings leaving them with a pinch moderate and adjust the position of this until we get the two on the chalk lines are coincident. Once achieved will turn to tighten the screws of the engine
- Replace the blade and the safeguard



11. SOLUTIONS TO MOST FREQUENT ANOMALIES

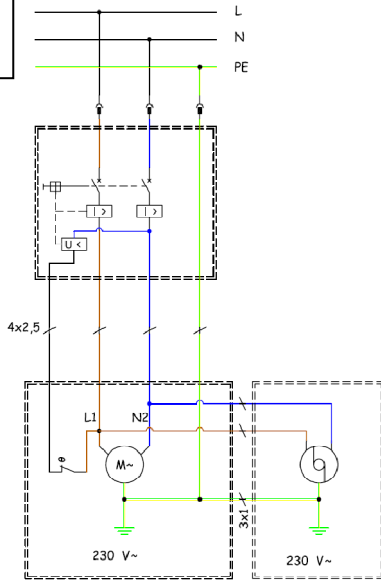
ANOMALY	POSSIBLE CAUSE	SOLUTION
Motor does not start up	Power supply fault	Check the power supply in the switch board. Check the position of the thermal magnet and the differential in the switch board. Make sure the extension cable is in a good state and well plugged in both ends
	Damaged switch	Substitute it
	Blocked blade	Remove obstacles preventing the blade from turning
Motor starts up very slowly and takes long to reach its revolutions	Damaged condenser. (Single phase motors)	Substitute it
Cutting power insufficient	Bluntness of the blade segments or diamond bands	Effectuate different cuts on an abrasive material (Sandstone, concrete, stone emery)
	Inappropriate blade	Use appropriate blade for material
	Motor low potency	Let the motor be checked by technical service
The cooling water does not reach the blade	Water level low in the tray	Fill in water to level
	Pump blocked	Dismount the tape filter and clean it
	Pump damaged	Substitute the pump
	The pump water tape is closed	Open the water tape
Blade premature damage	Insufficient cooling	Check the cooling
	Excessive advance	Decrease the advance
	Inappropriate blade	Use appropriate blade for material
Defective cutting	The machine is not aligned	Align
	Blade deteriorated or worn-out	Change blade
	Inappropriate blade	Use appropriate blade for material
Vibrations occurrence	Blade oscillation	Check the state of the disc and mount it correctly
	Blade subjection defect	Make sure the bridles and the motor axis are well adjusted. Tighten well the nut.
	Wrap the blade	Change the blade

12. TECHNICAL CHARACTERISTICS

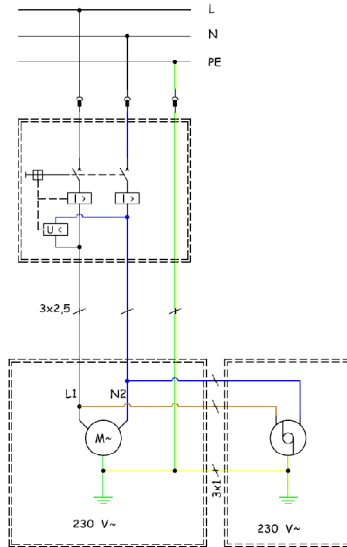
DATA	BALI 500
MOTOR POWER (KW.)	3
MOTOR TENSION	230/400V~ / 50-60Hz
MOTOR R.P.M.	1500
WATER PUMP POWER	50W
WATER PUMP TENSION	230V~ / 50-60Hz
OUTER BLADE DIAMETER (MM.)	500
INNER BLADE DIAMETER (MM.)	25,4
CUTTING LENGTH (MM.)	750
CUTTING DEPTH (MM.)	200
WATER TANK CAPACITY (L.)	46
NET WEIGHT (KG.)	122
DIMENSIONS LxWxH	1340 X 720 x 1454mm

18. ELECTRICAL SCHEMES .

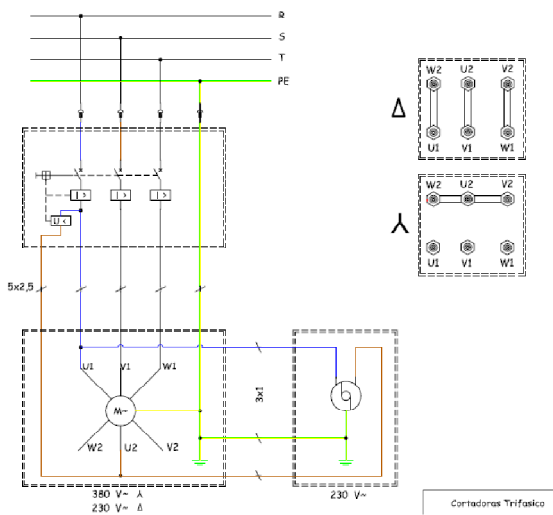
2P+T+(Sonda térmica)
 2P+T+(Thermal probe)
 2P+T+(Sonde thermique)



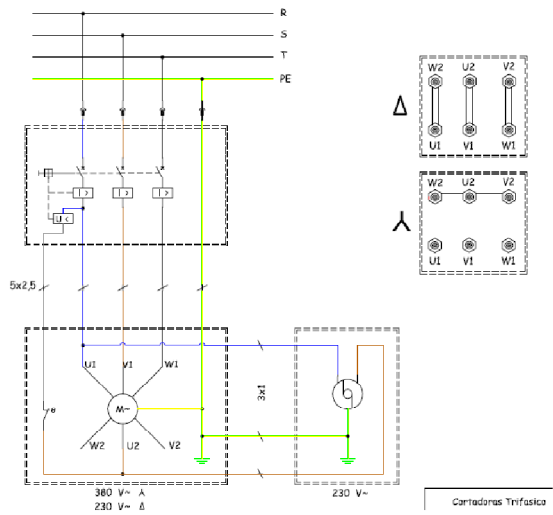
2P+T



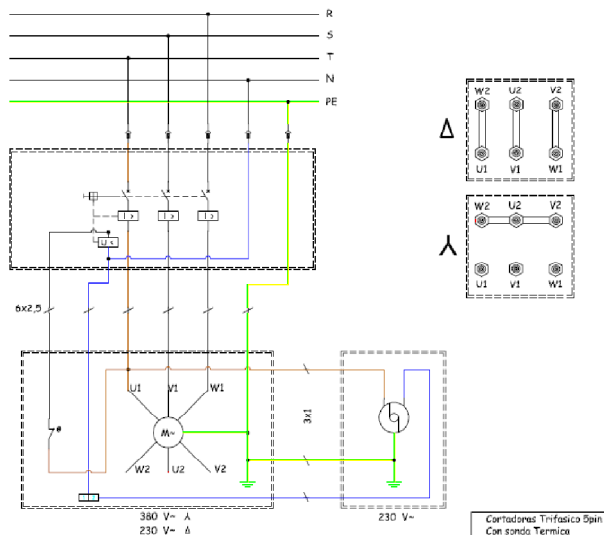
3P+T+(Sonda térmica)
 3P+T+(Thermal probe)
 3P+T+(Sonde thermique)



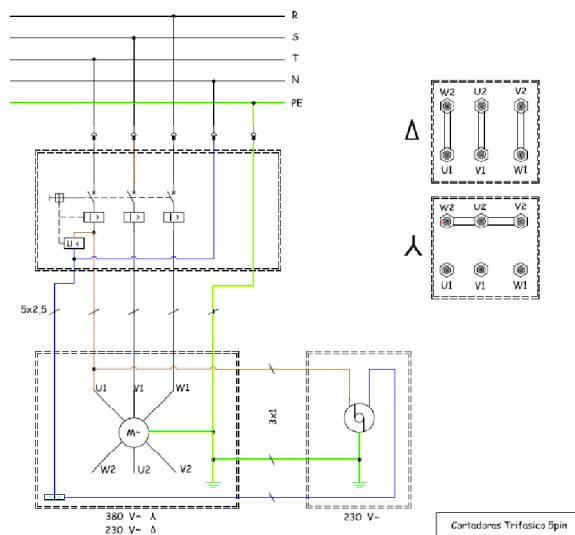
3P+T



3P+N+T+(Sonda térmica)
 3P+N+T+(Thermal probe)
 3P+N+T+(Sonde thermique)



3P+N+T



WARRANTY CERTIFICATE

AFTER-SALES SERVICE

END USER FORM

MACHINE DETAILS

NUMBER PLATE

CLIENT DETAILS

NAME	
ADDRESS	
POSTAL CODE AND CITY	
PROVINCE/COUNTRY	
TEL.:	Fax:
E-mail	
DATE OF PURCHASE	

Signature and stamp of the selling party

Client signature

WARRANTY CONDITIONS

- 1.) SIMA, S.A. fully guarantees all its products against defects in design, taking responsibility in the repairs or the faulty equipment for a period of ONE year from the original date of purchase. The date of purchase must appear on the warranty voucher enclosed.
- 2.) The warranty covers exclusively labour, repair and substitution of the faulty parts, the model and serial number of which must show on the warranty certificate.
- 3.) Transport, stay and food expenses before arriving to SIMA S.A., will be covered by the client.
- 4.) The warranty does not cover any damage caused by the normal wear, undue usage, overloading, inadequate installation or bad conservation of the machine.
- 5.) All repairs under WARRANTY will solely be effectuated by SIMA, S.A. or by its authorised dealers or repair centres.
- 6.) This Guarantee will be invalid in the following cases:
 - a) Any Warranty certificate manipulation or modification
 - b) Repairs, modifications or substitution of any part of the machine by unauthorized parties by SIMA S.A technical department.
 - c) The non-approved installation of devices by SIMA S.A technical department.
- 7.) SIMA is not responsible for any damages caused by the failure of the product. This includes, but not limited to, annoyances, transport expenses, telephone calls and loss of personal goods or commercial benefits, as well as the loss of pay or salary.
- 8.) Faulty thermal or electrical motors under warranty have to be sent to SIMA S.A or its authorized technical service in the country.
- 9.) To be benefit from the warranty, the warranty certificate must be at SIMA S.A premises within 30 days from the purchasing date. To claim the warranty, the purchase invoice has to be attached stamped by the dealer including the serial number of the machine.



SOCIEDAD INDUSTRIAL DE MAQUINARIA ANDALUZA, S.A.
 POL. IND. JUNCARIL, C/ALBUÑOL, PARC. 250
 18220 ALBOLOTE (GRANADA)
 Tel.: 34 - 958-49 04 10 - Fax: 34 - 958-46 66 45
 MANUFACTURER OF LIGHT MACHINERY FOR CONSTRUCTION
 SPAIN

WARRANTY CERTIFICATE

AFTER-SALES SERVICE

FORM TO RETURN TO MANUFACTURER

DATOS MÁQUINA

NUMBER PLATE

DATOS COMPRADOR

NAME	
ADDRESS	
POSTAL CODE AND CITY	
PROVINCE/COUNTRY	
TEL.:	Fax:
E-mail:	
DATE OF PURCHASE	

Signature and stamp of the selling party

Client signature

WARRANTY CONDITIONS

- 1.) SIMA, S.A. fully guarantees all its products against defects in design, taking responsibility in the repairs or the faulty equipment for a period of ONE year from the original date of purchase. The date of purchase must appear on the warranty voucher enclosed.
- 2.) The warranty covers exclusively labour, repair and substitution of the faulty parts, the model and serial number of which must show on the warranty certificate.
- 3.) Transport, stay and food expenses before arriving to SIMA S.A., will be covered by the client.
- 4.) The warranty does not cover any damage caused by the normal wear, undue usage, overloading, inadequate installation or bad conservation of the machine.
- 5.) All repairs under WARRANTY will solely be effectuated by SIMA, S.A. or by its authorised dealers or repair centres.
- 6.) This Guarantee will be invalid in the following cases:
 - a) Any Warranty certificate manipulation or modification
 - b) Repairs, modifications or substitution of any part of the machine by unauthorized parties by SIMA S.A technical department.
 - c) The non-approved installation of devices by SIMA S.A technical department.
- 7.) SIMA is not responsible for any damages caused by the failure of the product. This includes, but not limited to, annoyances, transport expenses, telephone calls and loss of personal goods or commercial benefits, as well as the loss of pay or salary.
- 8.) Faulty thermal or electrical motors under warranty have to be sent to SIMA S.A or its authorized technical service in the country.
- 9.) To be benefit from the warranty, the warranty certificate must be at SIMA S.A premises within 30 days from the purchasing date. To claim the warranty, the purchase invoice has to be attached stamped by the dealer including the serial number of the machine.





SOCIEDAD INDUSTRIAL DE MAQUINARIA ANDALUZA, S.A.

POL. IND. JUNCARIL, C/ALBUÑOL, PARC. 250

18220 ALBOLOTE (GRANADA)

TEL.: 34 - 958-49 04 10 - Fax: 34 - 958-46 66 45

MANUFACTURER OF LIGHT MACHINERY FOR CONSTRUCTION

SPAIN



MEXIANO



BALI

- ⒺS MANUAL DE INSTRUCCIONES ORIGINAL
- ⒺB ORIGINAL USER GUIDE
- ⒺR MANUEL ORIGINAL D'UTILISATION

C/ Albuñol, par.250
 Pol. Ind. Juncaril,
 18220 ALBOLOTE (Granada) ESPAÑA
 Telf: (+34)958 490 410
 Fax: (+34) 958 466 645
 info@simasa.com
 www.simasa.com

DECLARACIÓN "CE" DE CONFORMIDAD

SIMA, S.A.

Polígono Industrial Juncaril, C/ Albuñol, Parcela 250 C. P. 18220 Albolote, Granada (ESPAÑA)
Sociedad responsable de la fabricación y puesta en el mercado de la maquina que a continuación se especifica:

CORTADORA DE MATERIALES**DECLARA:**

Que la máquina arriba indicada, destinada al corte a pie de obra de mampostería, piedra y otros materiales de construcción, cumple todas las disposiciones aplicables de la Directiva de Máquinas (Directiva **2006/42/CE**) y las reglamentaciones nacionales que la trasponen. Cumple también con todas las disposiciones aplicables de las siguientes Directivas comunitarias Directivas **2006/95/CE; 2004/108/CE; 2000/14/CE; 2002/44/CE; 2002/95/CE; 2002/96/CE**

Cumple las disposiciones de las siguientes normas aplicadas
UNE-EN 292-1; UNE-EN 292 -2; UNE-EN 294 ; UNE-EN 349 ; UNE-EN 60204-1; UNE-EN 12418
UNE-EN 1050; UNE-EN 953

Datos de la persona facultada para elaborar el expediente técnico

Eugenio Fernández Martín
Responsable técnico

SIMA S.A.
Polígono Industrial Juncaril, C/ Albuñol, Parcela 250 - 18220 Albolote, Granada (ESPAÑA)

Albolote 01.01.2010



Fdo: Javier García Marina
Gerente

ÍNDICE

DECLARACIÓN "CE" DE CONFORMIDAD.....	2
1. INFORMACIÓN GENERAL.....	4
2. DESCRIPCIÓN GENERAL DE LA MÁQUINA.....	4
2.1 PICTOGRAMAS.....	5
3. TRANSPORTE.....	6
4. CONEXIÓN ELÉCTRICA Y ADECUACIÓN DEL SENTIDO DE GIRO.....	6
5. EQUIPACIÓN ELÉCTRICA.....	7
6. RECOMENDACIONES DE SEGURIDAD.....	8
7. PARTES DE LA MÁQUINA.....	9
8. MONTAJE Y DESMONTAJE DEL DISCO DE CORTE.....	10
8.1 PROCEDIMIENTO DE MONTAJE O SUSTITUCIÓN DE UN DISCO DE CORTE.....	10
9. INSTRUCCIONES DE PUESTA EN MARCHA Y USO.....	11
9.1 MONTAJE.....	11
9.2 LLENADO DE LA BANDEJA.....	13
9.3 POSICIÓN DE MÁQUINA Y OPERARIO. CONEXIÓN Y DESCONEXIÓN.....	13
9.4 CAMBIO POSICIÓN COLUMNA PARA DISCO DE 500 / 450 / 400.....	14
9.5 REGULACIÓN ALTURA DE CORTE.....	15
9.6 CAMBIO LONGITUD DE CORTE.....	15
10. MANTENIMIENTO.....	16
10.1 TENSADO DE LA CORREA.....	17
10.2 SUSTITUCIÓN DE LA CORREA.....	17
10.3 AJUSTE DE LA INCLINACIÓN DEL DISCO.....	18
10.4 ALINEACIÓN DEL DISCO CON LAS GUÍAS.....	19
11. SOLUCIÓN A LAS ANOMALÍAS MÁS FRECUENTES.....	20
12. CARACTERÍSTICAS TÉCNICAS.....	21
13. GARANTÍA.....	22
14. REPUESTOS.....	22
15. PROTECCIÓN DE MEDIO AMBIENTE.....	22
16. DECLARACIÓN SOBRE RUIDOS.....	22
17. DECLARACIÓN SOBRE VIBRACIONES MECÁNICAS.....	22
18. ESQUEMAS ELÉCTRICOS.....	23
CERTIFICADO DE GARANTÍA.....	24

1. INFORMACIÓN GENERAL.

ATENCIÓN: Lea y comprenda perfectamente las presentes instrucciones antes de empezar a manejar la maquina

SIMA S.A. agradece la confianza depositada en nuestros fabricados al adquirir una CORTADORA modelo BALI MKNO.

Este manual junto con la guía rápida que se adjunta proporciona las instrucciones necesarias para su puesta en marcha, utilización, mantenimiento y, en su caso, reparación. Se señalan también los aspectos que pueden afectar a la seguridad y salud de los usuarios durante la realización de cualquiera de dichos procesos. Si se siguen las citadas instrucciones y se opera como se indica, se obtendrá un servicio seguro y un mantenimiento sencillo.

Por ello, la lectura de estos manuales, es obligatoria para cualquier persona que vaya a ser responsable del uso, mantenimiento o reparación de la citada maquina.

Se recomienda tener siempre este manual en un lugar fácilmente accesible donde se esté utilizando la maquina.

2. DESCRIPCIÓN GENERAL DE LA MÁQUINA.

- Las Cortadoras de materiales SIMA S.A., modelo BALI MKNO, están diseñadas y fabricadas para cortar a pie de obra mampostería, piedra y otros materiales de construcción minerales y compuestos con al menos una cara portante (azulejo, terrazo, ladrillo, mármol, granito, teja de hormigón o cerámica, gres...). La herramienta de corte es un disco de diamante accionado por un motor eléctrico. El disco es diamante es refrigerado por agua mediante una bomba de impulsión. El avance del material se realiza manualmente empujando la mesa en la que se encuentra colocado. Este modelo de máquina está fabricada con materiales de primera calidad.

Cualquier otro uso que se le pueda dar a esta máquina se considera inadecuado y puede resultar peligroso, por lo que queda expresamente prohibido.

- Permite la subida y bajada de la unidad de corte a distintas alturas.
- Permite la regulación de la longitud de corte, mediante el acercamiento de la unidad de corte
- El carro o mesa porta materiales, está dotado de ruedas con un canal de rodadura en forma de "U" para ajustarse perfectamente a las guías.
- Dispone de cuatro patas desmontables para facilitar su transporte.
- El carro incorpora regla graduable para cortar piezas en ángulo
- Dispone de un resguardo para el disco con galerías para la refrigeración por agua.
- Máquina protegida con pantalla antisalpicaduras que evita la proyección de agua en la dirección del corte hacia la parte posterior de la máquina.
- La equipación eléctrica cumple con la normativa de seguridad comunitaria.
- Para la seguridad en el transporte, el carro o mesa porta materiales está provisto de un elemento de seguridad, que evita el movimiento del mismo a través de las guías durante el transporte.
- El carro o mesa porta materiales está diseñado con un sistema antivuelco. Este sistema evita la caída y vuelco del carro o mesa porta materiales cuando las piezas a cortar exceden las medias, y no están soportadas en apoyos adyacentes.
- Este modelo de máquina está construido conforme a Directivas Comunitarias.
- Todos los rodamientos del motor están montados con grado de estanqueidad que aseguran una larga vida a sus elementos.

2.1 PICTOGRAMAS

Los pictogramas incluidos en la maquina tienen el siguiente significado:



- ES OBLIGATORIO EL USO DE CALZADO DE SEGURIDAD.
- ES OBLIGATORIO EL USO DE CASCO, GAFAS Y PROTECCIÓN ACÚSTICA.
- LEER EL MANUAL DE INSTRUCCIONES.
- ES OBLIGATORIO EL USO DE GUANTES.
- NIVEL DE POTENCIA ACÚSTICA EMITIDO POR LA MÁQUINA.



Maquina conectada a 110V.



Maquina conectada a 230V.



Maquina conectada a 400V.



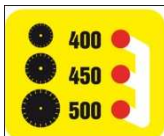
Superficies calientes.



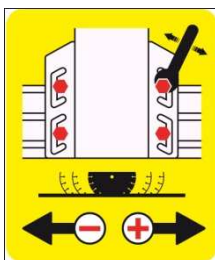
Prohibido el paso a personas ajenas a la obra. Peligro herramienta de corte.



Distancia mínima unidad de corte.

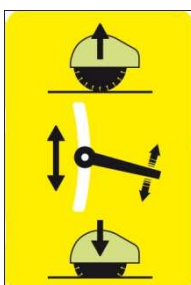


Altura de la unidad de corte para disco de 500, 450 Y 400.



Regulación longitud de corte.

Selección altura unidad de corte según disco.



Regulación altura de corte.

3. TRANSPORTE

Una vez desmontada la máquina y cuando haya que desplazarla dentro del lugar de trabajo, se consigue hacerlo manualmente entre dos personas.

Se recomienda vaciar el agua de la bandeja antes de mover la máquina para evitar posibles salpicaduras o derrames. Igualmente es necesario bloquear el carro para evitar deslizamientos imprevistos durante el desplazamiento. Comprobar también que están perfectamente apretados los tornillos que fijan las patas a la bandeja para evitar que se desprendan al elevar la máquina.



4. CONEXIÓN ELÉCTRICA Y ADECUACIÓN DEL SENTIDO DE GIRO

Cuando reciba la máquina y antes de conectar esta a la red asegúrese que la tensión de la red es la correcta para conectar la máquina. La tensión de funcionamiento de la máquina esta visible mediante la indicación de voltaje junto al interruptor de la misma.



ATENCIÓN: no conecte la máquina a la red si no está seguro de la tensión de alimentación disponible, en caso contrario si la tensión no fuese la correcta el motor sufriría daños irreparables o quedaría inutilizado y fuera de servicio.



Una vez haya realizado el paso anterior es necesario comprobar el sentido de giro del motor como indica la flecha del resguardo del disco. Ponga en marcha la máquina observando la dirección de giro. En el caso de no girar en el sentido marcado por la flecha, puede cambiar el sentido de giro intercambiando entre sí dos hilos conductores de fase en la base aérea o en la clavija del cable de extensión que se vaya a alimentar la máquina,

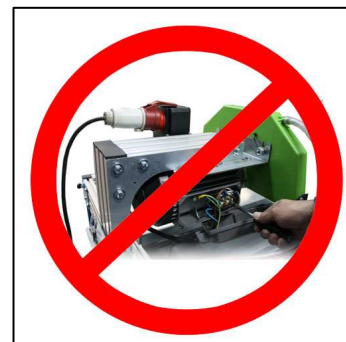
Si fuera necesario realizar el intercambio de hilos conductores para cambiar el sentido de giro del motor, hágalo siempre con la máquina desconectada de la red.



ATENCIÓN: No manipule nunca los cables de alimentación hilos conductores o material eléctrico de la máquina, si no ha desconectado totalmente la energía eléctrica de la red.



ATENCIÓN: Desconectar la máquina de la red antes de proceder a cambiar la posición de las plaquitas puente en los motores. También deberá proceder a cambiar las etiquetas adhesivas indicativas del voltaje de alimentación, de esta forma quedará siempre indicado el voltaje establecido en la máquina.



5. EQUIPACIÓN ELÉCTRICA

La equipación eléctrica de las cortadoras tienen un grado de protección IP54.

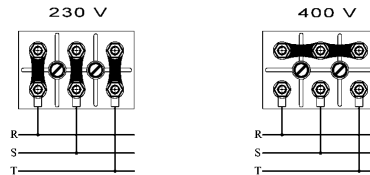
Los interruptores tomacorrientes que se montan en estas maquinas, incorporan bobina de mínima tensión que evita el arranque imprevisto de las mismas. En caso de que haya un corte de energía o una caída de tensión que produzca la parada de la maquina, y una vez restablecidas las condiciones normales de suministro, el motor no arrancara hasta que se vuelva a presionar el botón de color verde de puesta en marcha.



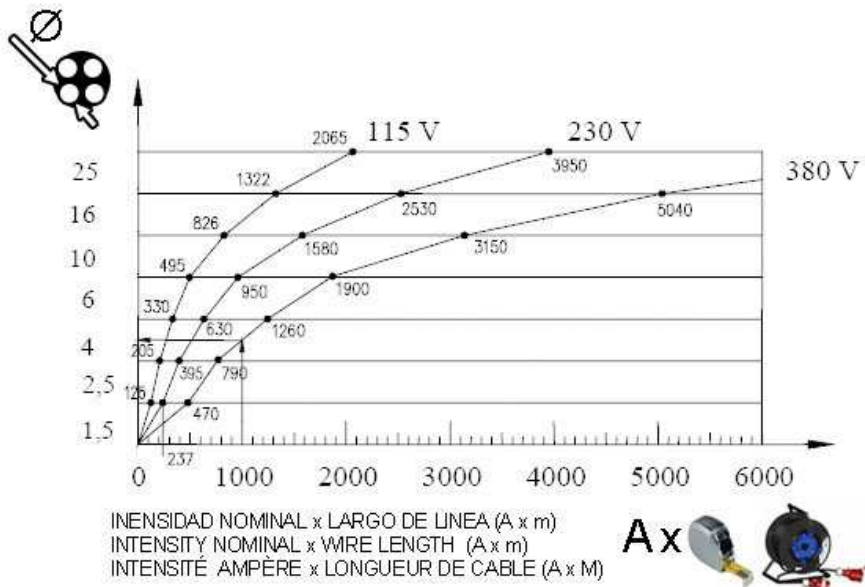
ATENCIÓN: Las cortadoras con motor trifásico salen de fábrica por defecto conectadas para trabajar a 400V.



ATENCIÓN: Cuando sea necesario utilizar una tensión de alimentación trifásica a 230V, deberemos cambiar la posición de las plaquitas puente en la caja de bornes del motor, según se indica en la figura siguiente.




ATENCIÓN: El cable de extensión para alimentar la maquina deberá tener una sección mínima según tabla.



6. RECOMENDACIONES DE SEGURIDAD



Las maquinas con motor eléctrico deben ser conectadas siempre a un cuadro normalizado que disponga de un magnetotérmico y un diferencial de acuerdo con las características del motor. Ver tabla.

	
2.2kw/3 CV -230V	20A/300mA
3kw/4 CV - 230V	20A/300mA
3kw/4 CV - 400V	15A/300mA

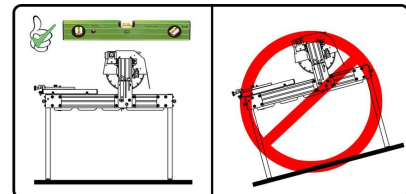


MUY IMPORTANTE: La toma de tierra debe estar conectada siempre antes de la puesta en marcha.

- Usar cables de extensión normalizados
- Asegúrese de que el voltaje de la red de alimentación a la que va a ser conectada la maquina, coincide con el voltaje que se indica en la etiqueta adhesiva fijada a la maquina.
- Asegúrese que el cable de extensión de alimentación de la máquina, no entre en contacto con puntos de alta temperatura, aceites, agua, aristas cortantes, evitar que sea pisado o aplastado por el paso de vehículos, así como depositar objetos sobre el mismo.
- No utilizar agua a presión para limpiar circuitos y elementos eléctricos.



- Los cables eléctricos que presenten cortes y roturas deben ser cambiados a la mayor brevedad.
- Mantengan en su posición los elementos y protecciones de seguridad.
- Utilice siempre los elementos de protección homologados (Guantes, casco de seguridad, Gafas, Botas.....)
- Desconecte la máquina de la red y no manipule ni opere sobre los elementos mecánicos y eléctricos de la maquina con el motor en marcha.
- Las máquinas cortadoras deben ser utilizadas por personas que estén familiarizadas con su funcionamiento.
- Sea precavido y no permita la presencia en el entorno de la máquina cuando está en funcionamiento.
- Prohibir el acceso y manipulación de la máquina a personas que no se hallan familiarizado antes con la máquina.
- La ropa de trabajo no debe incluir prendas sueltas que puedan ser atrapadas por las partes móviles de la maquina.
- Antes de poner en marcha la máquina, lea atentamente las instrucciones y observe el cumplimiento de las normas de seguridad. Aprenda perfectamente a detener la máquina de una forma rápida y segura.
- Colocar la maquina en una superficie plana y bien iluminada. No conectarla hasta que no esté garantizada su estabilidad.



- Asegúrese que la maquina está en perfecto estado técnico y totalmente operativa.
- No ponga en marcha la máquina si no tiene montadas todas las protecciones y resguardos con que ha sido diseñada.
- Cuando tenga que desplazar la maquina hágalo siempre con el motor parado y las partes móviles bloqueadas.
- Utilizar solo los discos especificados en este manual.



Esta máquina, **NO TIENE QUE SER UTILIZADA BAJO LA LLUVIA. Cúbrala con materiales impermeables. Si la maquina ha estado expuesta bajo la lluvia, compruebe antes de conectarla que las partes eléctricas no estén húmedas o mojadas. TRABAJAR SIEMPRE CON BUENAS CONDICIONES DE ILUMINACIÓN.**

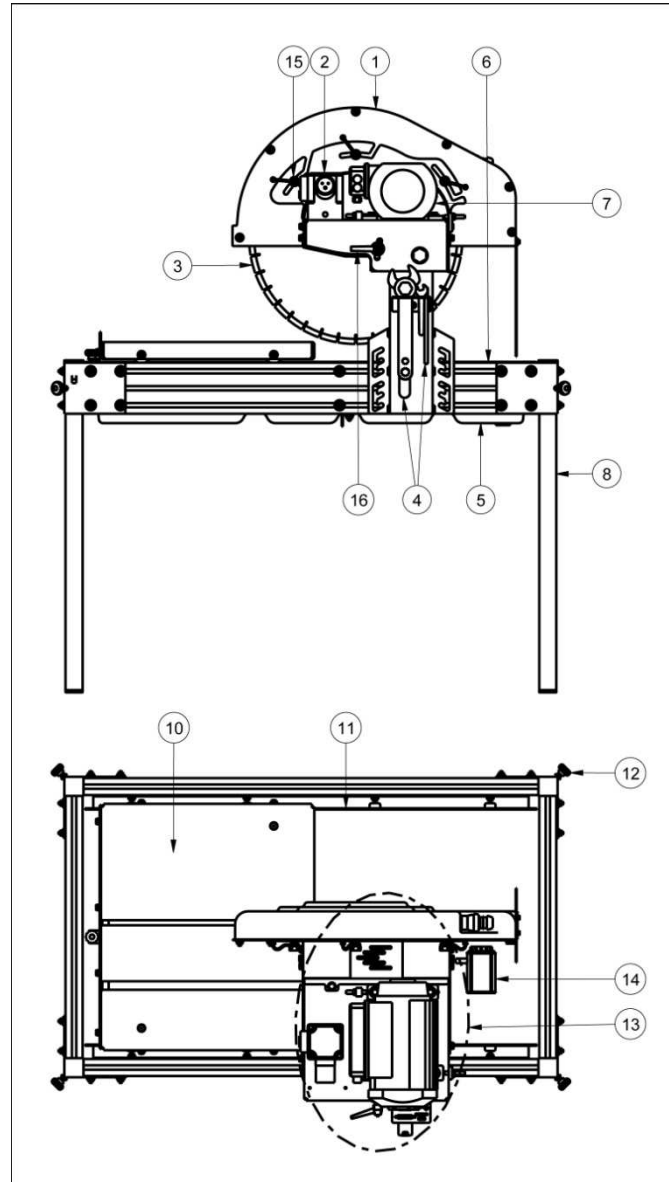


Atención: Deben seguirse todas las recomendaciones de seguridad señaladas en este manual y cumplir con la normativa de prevención de riesgos laborales de cada lugar.

SIMA, S.A. no se responsabiliza de las consecuencias que puedan derivar usos inadecuados de la Cortadora de materiales BALI PLUS.

7. PARTES DE LA MÁQUINA

1. Resguardo el disco.
2. Interruptor.
3. Disco.
4. Herramientas.
5. Bandeja.
6. Chasis.
7. Motor.
8. Patas.
- 9.
10. Carro transporte.
11. Guías carro.
12. Pomo fijación patas.
13. Unidad de corte.
14. Bomba.
15. Volante regulación resguardo del disco.



8. MONTAJE Y DESMONTAJE DEL DISCO DE CORTE

La cortadora modelo BALI MKNO se ha diseñado para usar discos de diamante segmentados o de banda continua y con diámetros de 500, 450 o 400mm indistintamente, los discos tienen propiedades distintas según el material a trabajar, por lo que una elección adecuada aumentara el rendimiento y mejorara el resultado.

Observe que las revoluciones máximas soportadas por el disco de corte son superiores a las revoluciones máximas que puede girar el motor de la máquina.

El disco de corte es uno de los elementos más importantes en una cortadora. Un disco en buen estado es fundamental para conseguir un rendimiento optimo de la maquina, sustitúyalo cuando se haya desgastado o esté torcido o agrietado.

No utilice ningún otro tipo de disco que no sea el especificado en este manual y observe que tiene las características requeridas de diámetro máximo, diámetro del taladro central y número máximo de revoluciones soportadas.


Tenga en cuenta que dentro del grupo de discos diamantados existen tipos distintos según el material a cortar, elija siempre el más apropiado para su caso.

Por todo lo expuesto anteriormente, le recomendamos utilizar siempre DISCOS ORIGINALES SIMA que cumplen los requisitos técnicos y de seguridad exigidos y se ofrecen en una amplia gama que cubre todas las necesidades y que facilita la elección correcta.

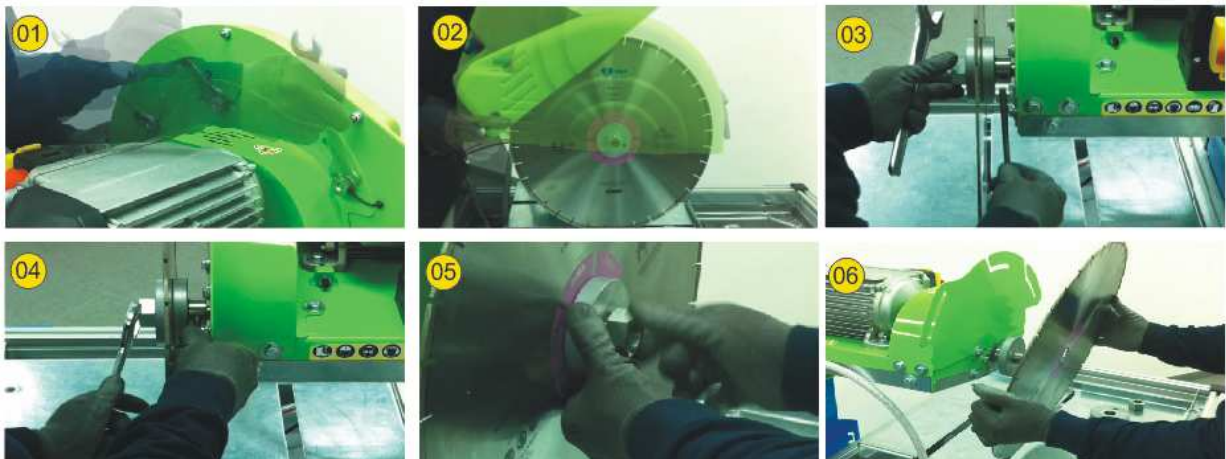
8.1 PROCEDIMIENTO DE MONTAJE O SUSTITUCIÓN DE UN DISCO DE CORTE

Para montar o sustituir el disco se procederá de la siguiente forma:

- Comprobar que el cable de alimentación esta desconectado del tomacorrientes de la maquina
- Retirar el resguardo del disco del cabezal de corte de la maquina aflojando los volantes que la fijan.
- Introducir la llave hexagonal de 36mm en la tuerca. Bloquear el giro del eje del disco introduciendo en el taladro que incorpora en su extremo, la llave punzón, aflojar la tuerca del eje y retirar la brida exterior.
ATENCIÓN: La tuerca es de rosca a izquierdas.
- Colocar el disco nuevo sobre su eje cuidando de que quede bien centrado y perfectamente asentado. debe Asegurarse nuevamente que el sentido de giro del disco de corte es correcto. La flecha dibujada en el mismo disco, debe coincidir con la dirección de la flecha grabada en el resguardo del disco.
- Volver a colocar la brida exterior y apretar nuevamente la tuerca del eje usando de nuevo el juego de llaves utilizado anteriormente.
- Compruebe el perfecto acoplamiento entre disco y bridas antes de apretar definitivamente la tuerca.
- Colocar el resguardo del disco en su posición y apretar bien los volantes que lo fijan al cabezal de corte.
- Para desmontar el disco proceder en sentido inverso.

 **ATENCIÓN:** retire las herramientas utilizadas antes de conectar la máquina asegurándose que todos los elementos de la maquina han quedado en su posición correcta.

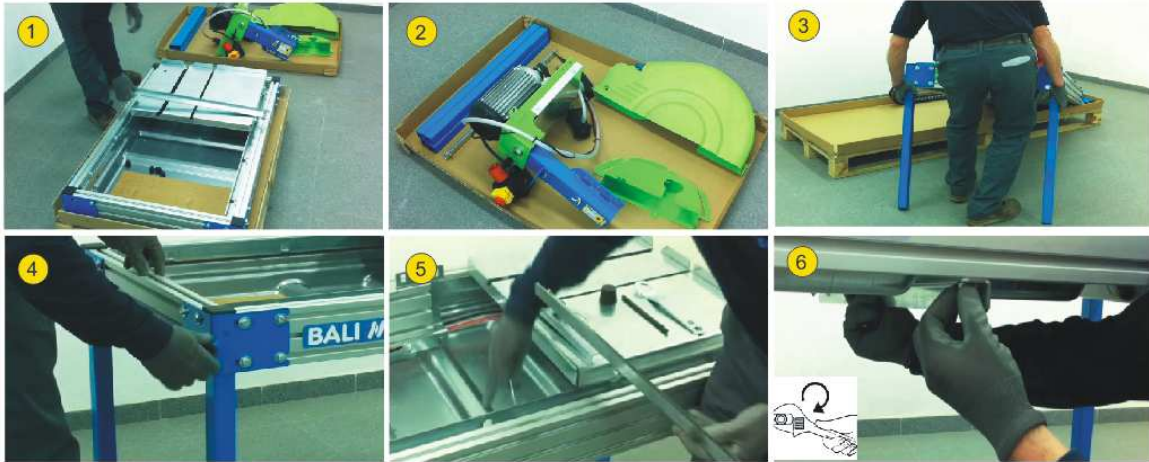
- Ahora puede conectar la maquina a la red.



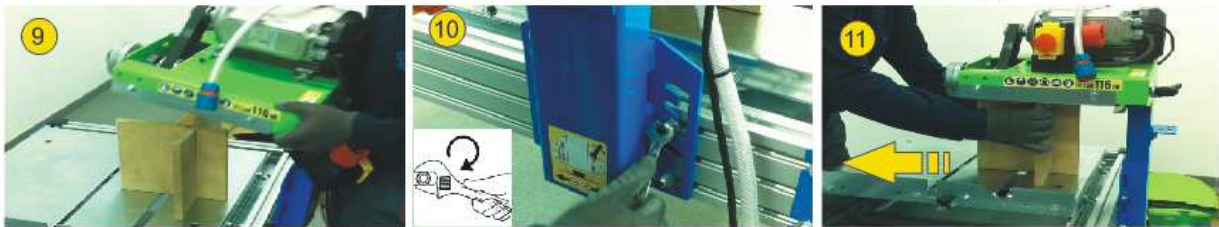
9. INSTRUCCIONES DE PUESTA EN MARCHA Y USO

9.1 MONTAJE

1. Coloque fuera de la bandeja todos los componentes, monte las patas dejándolas fijadas con los volantes. A continuación monte el refuerzo inferior del chasis.



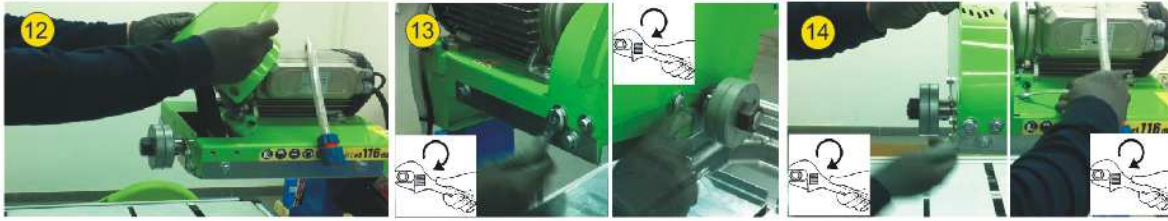
2. Monte el accesorio de cartón y colóquelo sobre el carro para apoyar la unidad de corte. La unidad de corte debe de ir colocado sobre el lateral que lleva este adhesivo. Apriete la unidad de corte con los 4 tornillos.



3. A continuación monte el interruptor, encaje los cables por el hueco de la guía del carro.



4. Monte la protección polea y fíjela con los tornillos.



5. Ahora monte el disco. Para ello, retire la tuerca y la brida exterior. Coloque el disco en el eje vuelva a montar la brida exterior. Apriete fuertemente la tuerca, haga girar el disco con la mano y compruebe que está bien equilibrado y no hace ningún movimiento extraño.



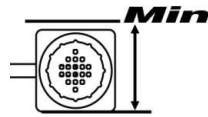
6. Monte el resguardo del disco y fíjelo con los tres volantes.



9.2 LLENADO DE LA BANDEJA

Las cortadoras BALI MEKANO están diseñadas para trabajar con discos de diamante refrigerados por agua por lo que una parte importante de su estructura es una bandeja destinada a servir como depósito del agua de refrigeración que se bombea en circuito cerrado hasta el disco.

⚠ ATENCIÓN: antes de conectar la máquina a la red para iniciar cualquier operación de corte se deberá proceder al llenado de la bandeja hasta el nivel suficiente para cubrir la bomba completamente.



Durante las operaciones de corte se acumula gran cantidad de suciedad en la bandeja por lo que habrá que cambiar el agua las veces que sea necesario para garantizar el buen funcionamiento de la bomba y la perfecta refrigeración del disco; la bandeja incorpora un tapón de vaciado que facilita esta operación.

⚠ ATENCIÓN: No olvide lavar la bomba al final de cada jornada. Para ello, desenrosque la tapa circular, sumerja la bomba en un cubo con agua limpia, conecte la maquina y haga circular el agua hasta que salga agua limpia por la horquilla de refrigeración, desconecte la maquina y enrosque la tapa circular de nuevo en la bomba.



9.3 POSICIÓN DE MAQUINA Y OPERARIO. CONEXIÓN Y DESCONEXIÓN

La maquina debe ser instalada en una superficie plana y estable, libre de obstáculos y bien iluminada.

Antes de poner la máquina en marcha debemos haber realizado las comprobaciones necesarias (conexión eléctrica, estabilidad, protecciones, etc...) que se han mencionado en capítulos anteriores.

Al instalar la maquina debe asegurarse que el plano donde sea colocada para trabajar sea una superficie horizontal y que el terreno no sea blando.

Para comenzar a cortar el operario debe situarse frente a la máquina, en esta posición podrá manejar con facilidad el carro que soporta la pieza a cortar y tendrá siempre accesible el interruptor tomacorrientes.

Una vez conectado el cable de alimentación, el motor y la bomba se pondrán en marcha con solo pulsar el botón verde del interruptor.

La parada de la máquina se consigue simplemente pulsando el botón rojo del citado interruptor.



El corte se ejecutará sujetando manualmente el material apoyado en el carro y empujando éste hacia el disco.

Empezar lentamente y graduar el avance según la profundidad de corte y la dureza del material. Un avance excesivo puede ocasionar un corte defectuoso o el bloqueo del disco.

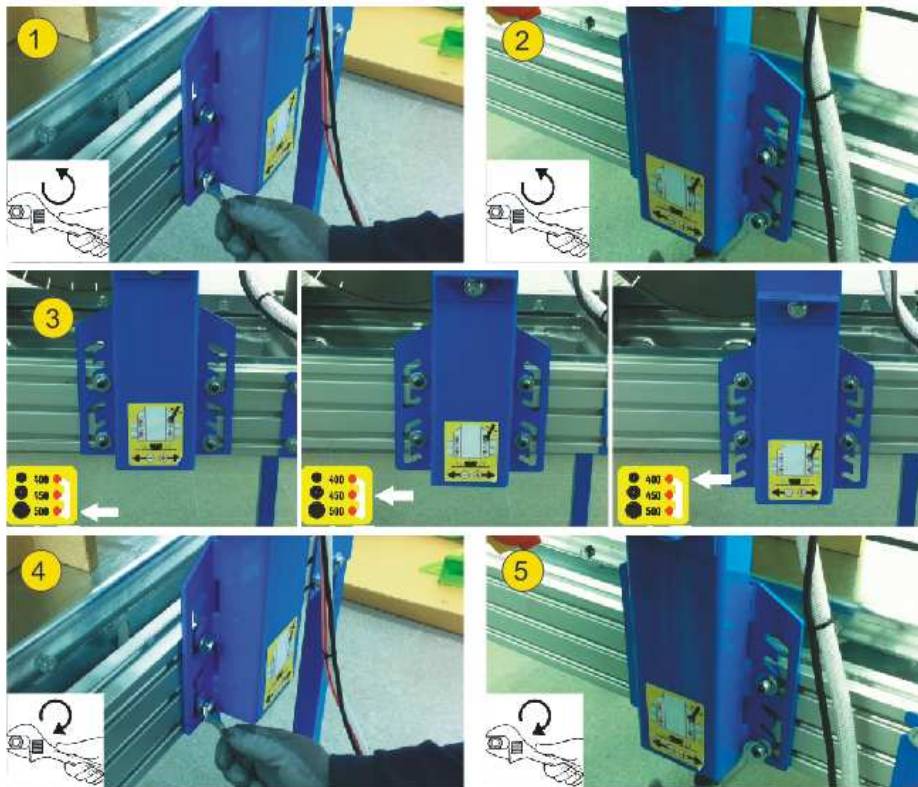
La bomba de refrigeración se pone en marcha simultáneamente con el motor. Antes de acercar el material al disco asegúrese de que éste recibe el agua necesaria.



9.4 CAMBIO POSICIÓN COLUMNA PARA DISCO DE 500 / 450 / 400.

Para utilizar discos de diámetro 500, 450 y 400 tendrá que regular la unidad de corte a distinta altura. Proceda de la siguiente forma:

- Afloje los cuatro tornillos que fijan la columna.
- Suba o baje la columna según necesidad.
- Vuelva a apretar los cuatro tornillos.
- Monte el nuevo disco y su resguardo.

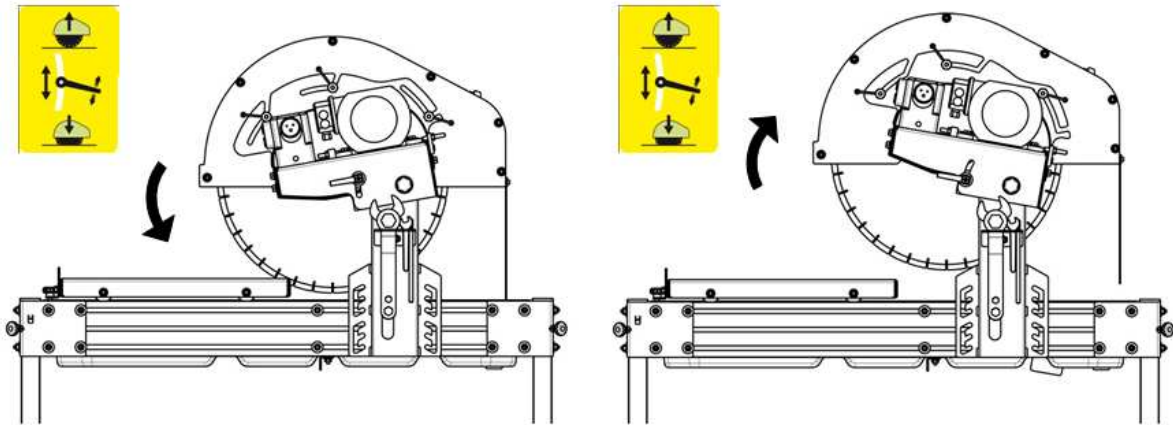


Atención: No usar nunca la máquina en una posición menor que el disco montado, ya que en ese caso se podría llegar a cortar el carro.

9.5 REGULACIÓN ALTURA DE CORTE.

Para regular la altura de corte con más precisión o para realizar cortes de más de 20cm con doble pasada, deberá de hacerlo por medio de la manivela habilitada para ello.

1. Aflojar manivela.
2. Subir o bajar cabezal.
3. Apretar manivela.
4. Colocar resguardo del disco horizontal por medio de los tres volantes.

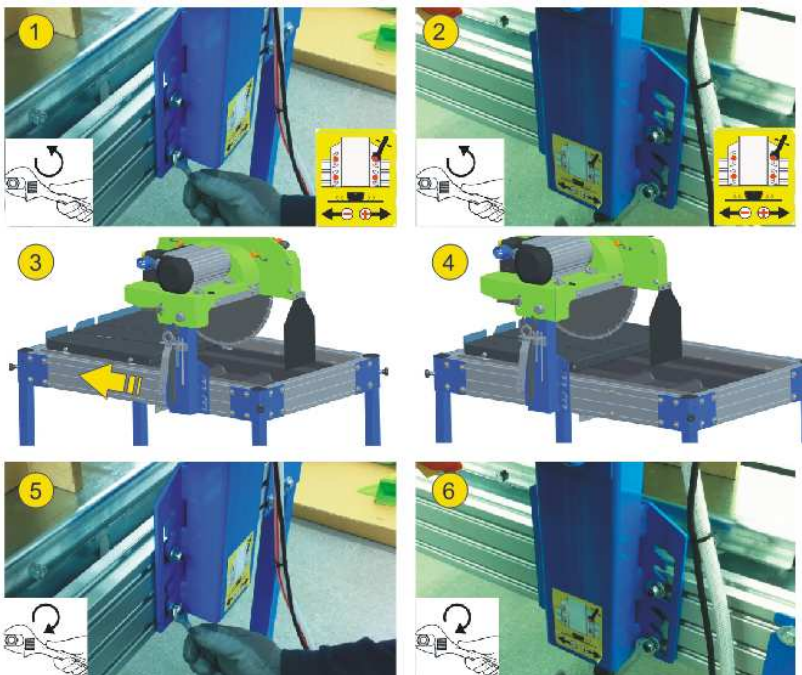


Atención: Compruebe que al seleccionar la altura el disco nunca corte el carro de transporte..

9.6 CAMBIO LONGITUD DE CORTE

Para cambiar la longitud de corte en caso necesario y para hacer más cómodo el trabajo cuando la longitud de corte es pequeña, BALI MKNO tiene la posibilidad de mover la unidad de corte a lo largo del lateral de la máquina. Para modificar la longitud de corte proceda de la siguiente forma.

- Afloje los 4 tornillos como se muestra en el adhesivo.
- Desplace la unidad de corta hasta el punto deseado y vuelva a apretar los tornillos.



10. MANTENIMIENTO

La Cortadora de materiales BALI MKNO requiere un sencillo mantenimiento descrito en las siguientes operaciones:

- Cambiar el agua de la bandeja y limpiar la maquina con la frecuencia que sea necesario. La bandeja dispone de una salida de desagüe a tal efecto. El nivel de llenado será el necesario para cubrir la bomba completamente sin llegar a alcanzar las guías.
- Aunque la bomba de refrigeración dispone de una tapa filtro, puede ocurrir que penetren en su interior suciedad y restos del material cortado que bloquean la hélice; para prevenir esto haga funcionar la bomba periódicamente en un recipiente con agua limpia durante unos minutos. Si fuese necesario retirar la tapa filtro y limpiar bien la turbina hasta que la hélice gire libremente.
- Eliminar los posibles restos de material que se puedan depositar sobre las guías del carro.
- Sustituir a la mayor brevedad cualquier cable eléctrico que presente cortes, roturas o cualquier deterioro.
- Si la maquina no está cubierta, cúbrala con tela impermeable.
- Al final de cada jornada, apague la maquina y desconéctela.

Las operaciones de mantenimiento deben ser realizadas preferentemente por personas que conozcan la maquina y su funcionamiento.

Cualquier manipulación de la maquina debe hacerse siempre con el motor parado y el cable de alimentación desconectado. No olvide retirar totalmente los útiles y herramientas utilizados.

En caso de observar anomalías o mal funcionamiento, hagan revisar la maquina por un técnico especializado.

Tener siempre en cuenta las recomendaciones de seguridad mencionadas en este manual.



Queda prohibido cualquier tipo de modificación en alguna de las piezas, elementos o características de la maquina que el usuario haga de forma independiente. SIMA, S.A. no será en ningún caso responsable de las consecuencias que se puedan derivar del incumplimiento de estas recomendaciones.

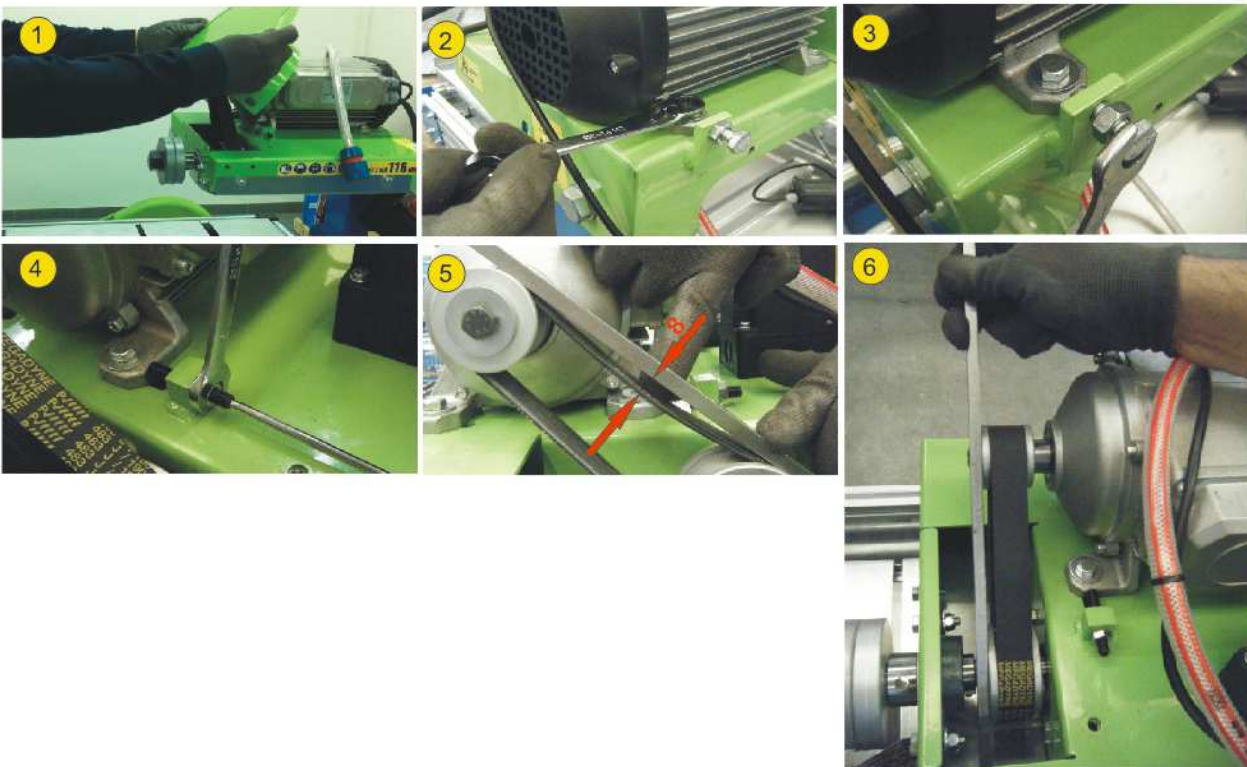
10.1 TENSADO DE LA CORREA.

Con el uso y el tiempo, las correas de transmisión se estiran, por lo que empiezan a patinar y a degradarse prematuramente. Para tensar la correa proceder de la siguiente forma:



ATENCIÓN: Desconecte la maquina de la red antes de proceder a tensar.

1. Retire los resguardos
2. Afloje los tornillos del motor.
3. Actúe sobre los tensores y tense la correa comprobando con una regla la flecha de elasticidad como se muestra en la imagen.
4. Compruebe con una regla que la polea motor y la polea eje disco están alineadas para evitar que la correa descarrile cuándo gire el motor.
5. Vuelva a apretar todos los tornillos y monte los resguardos.



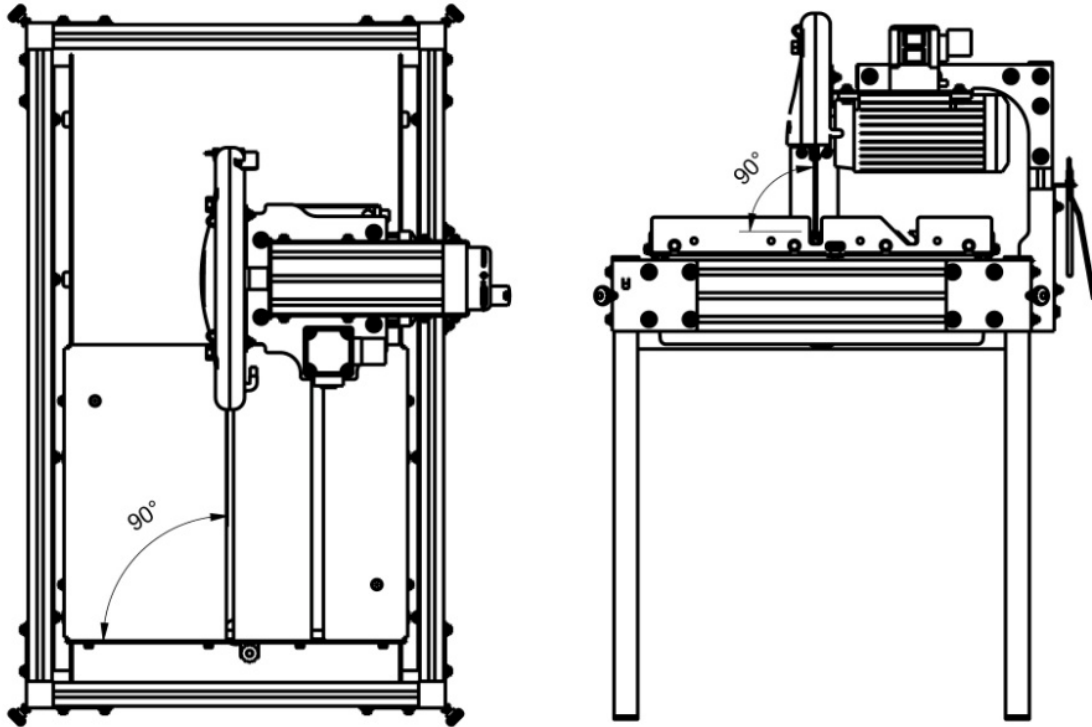
10.2 SUSTITUCIÓN DE LA CORREA.

1. Para sustituir la correa, tendrá que proceder como en el punto anterior y además deberá de desmontar los rodamientos para poder sustituirla.
2. Una vez reemplazada la correa, vuelva a montar los rodamientos y antes de tensar, alinee el corte como se explica en punto **10.4**.



10.3 AJUSTE DE LA INCLINACIÓN DEL DISCO

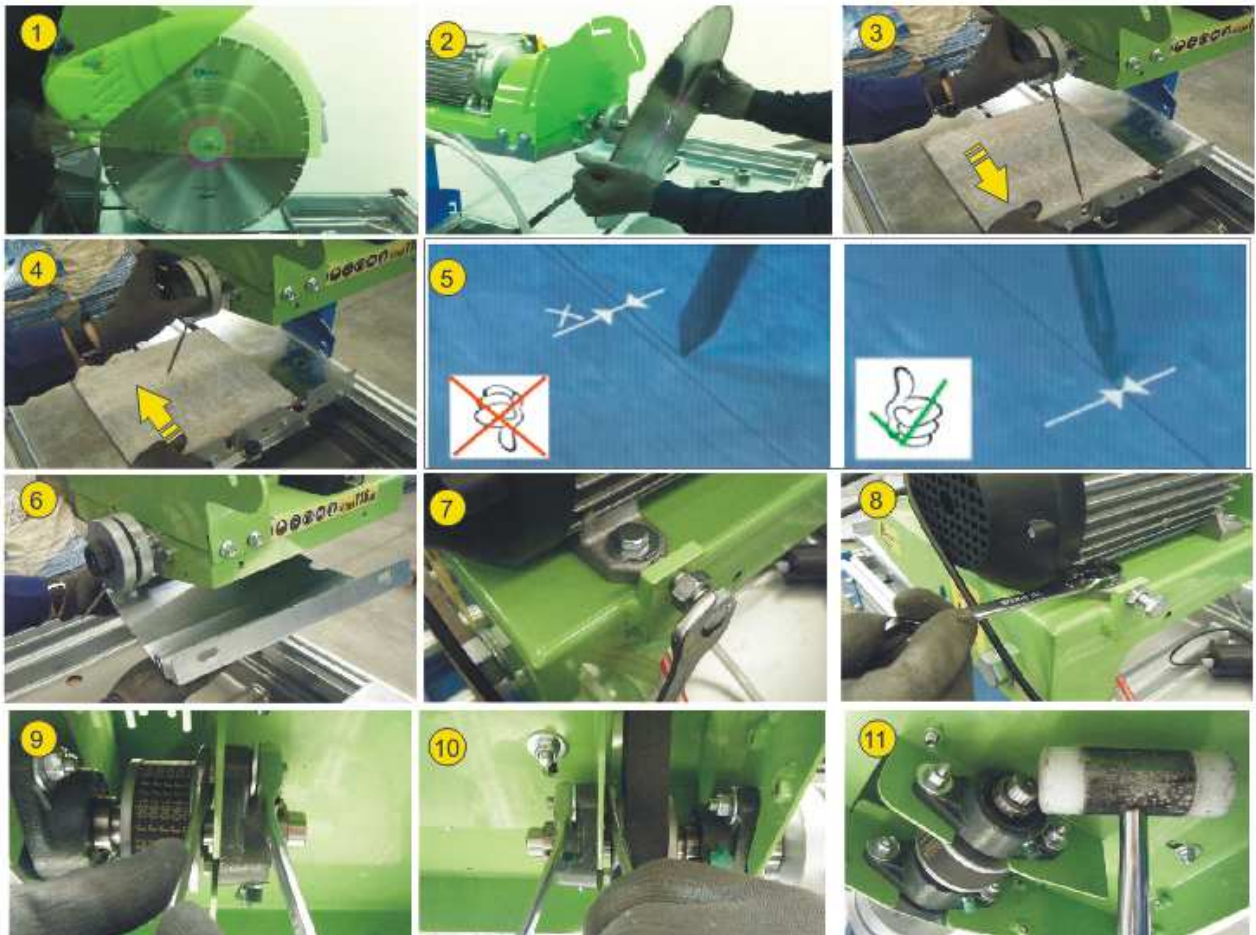
Las cortadoras de materiales modelo BALI MKNO salen de fábrica perfectamente reguladas para que al montar la unidad de corte el disco forme un ángulo de 90° con el carro en la vertical y en la horizontal. Si por algún golpe imprevisto o cualquier otra causa se desajustara, acuda al servicio técnico más cercano para ser reparada.



10.4 ALINEACIÓN DEL DISCO CON LAS GUÍAS

Para realizar esta operación será necesario proveerse de una varilla de acero de 4 ó 5mm de diámetro y 350mm de longitud aproximadamente afilada en un extremo en forma de punta de lápiz. También es necesario disponer de una pieza de cerámica (azulejo o gres) y tiza blanca. Se procederá de la siguiente forma:

- Desconecte la máquina de la red eléctrica
- Retire el resguardo del disco y también el disco de corte
- Coloque la pieza sobre el carro con la cara esmaltada hacia abajo e impregne de tiza la parte central de la cara vista.
- Coloque la varilla entre las bridas de fijación del disco, de forma que la punta afilada roce con la pieza en la zona marcada con tiza. Apretar la tuerca del eje motor.
- Desplace el carro de forma que la varilla realice una línea recta en el azulejo.
- A continuación gire el eje motor de manera que la varilla quede en el lado opuesto, desplace el carro en sentido contrario al anterior para trazar con la varilla una nueva línea, esta deberá coincidir exactamente con la primera; si no son coincidentes ambas líneas, retire el cárter inferior.
- Afloje los tornillos tensores y los de fijación del motor para liberar la tensión de la correa.
- Afloje los tornillos de rodamiento trasero de tal forma que haya que mover el rodamiento a golpe de martillo
- Golpee suavemente el eje del disco en la dirección que pida para corregir el desfase hasta que consigamos que las dos líneas trazadas en la zona marcada con tiza sean coincidentes
- Si es correcta la alineación apriete fuertemente el rodamiento, tense la correa y apriete los tornillos del motor, monte el disco y el resguardo.



11. SOLUCIÓN A LAS ANOMALÍAS MÁS FRECUENTES

ANOMALÍA	POSIBLE CAUSA	SOLUCIÓN
Motor no arranca	Falta de alimentación eléctrica	Revisar el suministro al cuadro de obra. Comprobar la posición del magnetotérmico y diferencial en el cuadro de obra. Revisar el buen estado del cable de extensión y su encaje correcto en los dos extremos
	Activación de la protección térmica (Interruptores monofásicos)	Esperar enfriamiento del motor y rearmar la protección térmica.
	Interruptor averiado	Sustituirlo
	Disco bloqueado	Eliminar los obstáculos que impiden su giro
Motor arranca muy lentamente y tarda demasiado en alcanzar sus revoluciones	Condensador dañado.(Motores monofásicos)	Sustituirlo
Potencia de corte insuficiente	Embotamiento de los segmentos o bandas diamantadas del disco	Dar varios cortes a un material abrasivo (Arenisca, Hormigón, Piedra esmeril)
	Disco inapropiado	Usar el disco apropiado para el material
	Baja potencia en motor	Revisar motor por Servicio Técnico.
No llega agua de refrigeración al disco	Nivel de agua insuficiente en bandeja	Completar nivel
	Bomba atorada	Desenroscar la tapa filtro y limpiar
	Bomba estropeada	Sustituir bomba
	Llave de paso cerrada	Abrir llave de paso
Desgaste prematuro del disco	Refrigeración insuficiente	Revisar refrigeración
	Avance excesivo	Disminuir avance
	Disco inapropiado	Usar el disco apropiado para el material
Corte defectuoso	La maquina esta desalineada	Alinear como se indica en el manual
	Disco deteriorado o desgastado	Cambiar el disco
	Disco inapropiado	Usar el disco apropiado para el material
Aparición de vibraciones	oscilación del disco	Verificar el estado del disco y montarlo correctamente
	Sujeción del disco defectuosa	Revisar el correcto ajuste de las bridas y el eje motor. Apretar bien la tuerca.
	Disco alabeado	Cambiar el disco

12. CARACTERÍSTICAS TÉCNICAS

DATOS	BALI MKNO MONOF.	BALI MKNO TRIF.
POTENCIA MOTOR	2,2KW	3KW
TENSIÓN MOTOR	110V~ / 230V~	230V~/400V~
REVOLUCIONES MOTOR	2800 R.P.M.	
POTENCIA BOMBA REFRIGERACIÓN	50W	
TENSIÓN BOMBA REFRIGERACIÓN	110V~ / 230V~	230V~
DIÁMETRO MÁXIMO DISCO	500 mm	
DIÁMETRO ORIFICIO CENTRAL DISCO	25,4 mm	
LONGITUD DE CORTE	CON DISCO DIÁMETRO 500: 480 mm	
PROFUNDIDAD DE CORTE	CON DISCO DIÁMETRO 450: 175 mm	
	CON DISCO DIÁMETRO 400: 150 mm	
CAPACIDAD BANDEJA DE REFRIGERACIÓN	45 LITROS (Con el nivel necesario)	
PESO NETO	89,2Kg	
DIMENSIONES L x A x H (mm.)	1214 x 839 x 1374	

13. GARANTÍA

SIMA, S.A. fabricante de maquinaria para la construcción, dispone de una red de servicios técnicos Red SERVÍ-SIMA. Las reparaciones efectuadas en garantía por nuestra Red SERVÍ-SIMA, están sometidas a unas condiciones con objeto de garantizar el servicio y calidad de las mismas.

SIMA, S.A. garantiza todos sus fabricados contra cualquier defecto de fabricación, quedando amparados por las condiciones especificadas en el documento adjunto CONDICIONES DE GARANTÍA.

Las condiciones de garantía cesaran en caso de incumplimiento de las condiciones de pago establecidas.

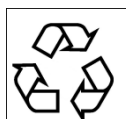
SIMA S.A. se reserva el derecho de modificar sus productos sin previo aviso

14. REPUESTOS

Los repuestos disponibles para las cortadoras de materiales BALI MKNO, fabricadas por SIMA, S.A. están identificados en los planos de repuestos y podrán visualizarse a través de B2B.

Para solicitar cualquiera de ellos, deberá ponerse en contacto con el departamento de post-venta de SIMA S.A. y especificar claramente el **número** con el que está señalado, así como el **modelo, numero de fabricación y año de fabricación** que aparece en la placa de características de la máquina a la cual va destinado.

15. PROTECCIÓN DE MEDIO AMBIENTE.



Se deberán recuperar las materias primas en lugar de desechar los restos. Los aparatos, accesorios, fluidos y embalajes deberán ser enviados a sitios indicados para su reutilización ecológica. Los componentes de plástico están marcados para su reciclaje seleccionado.



R.A.E.E. Los residuos de aparatos eléctricos y electrónicos deberán ser depositados en lugares indicados para su recogida selectiva.

16. DECLARACIÓN SOBRE RUIDOS.

Nivel de potencia acústica emitido por la maquina ponderado.

BALI-500

LWA (dBa) 116

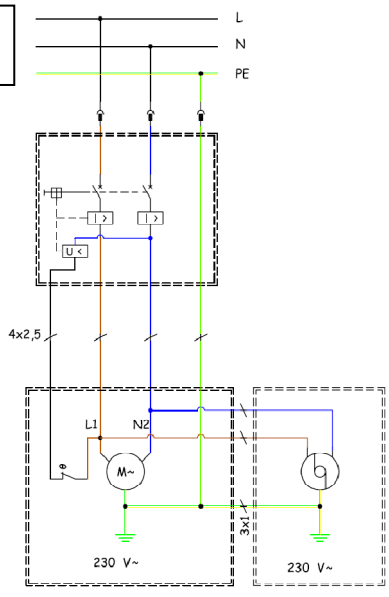
17. DECLARACIÓN SOBRE VIBRACIONES MECÁNICAS.

El nivel de exposición a la vibración transmitida al sistema mano-brazo es:

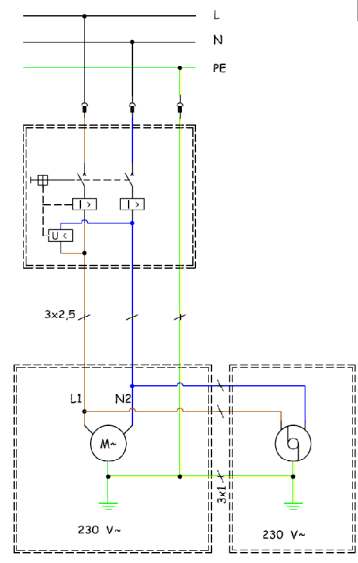
MODELO	PARA MANO IZQUIERDA m/ s ²	PARA MANO DERECHA m/ s ²
BALI-500	1,48071187620	1,97781276584

18. ESQUEMAS ELÉCTRICOS

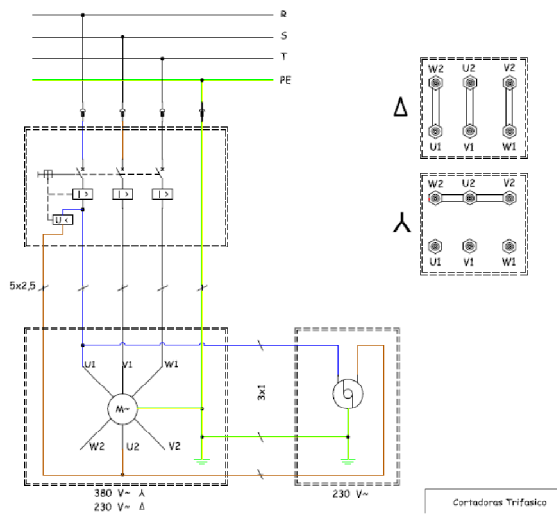
2P+T+(Sonda térmica)
 2P+T+(Termal probe)
 2P+T+(Sonde thermique)



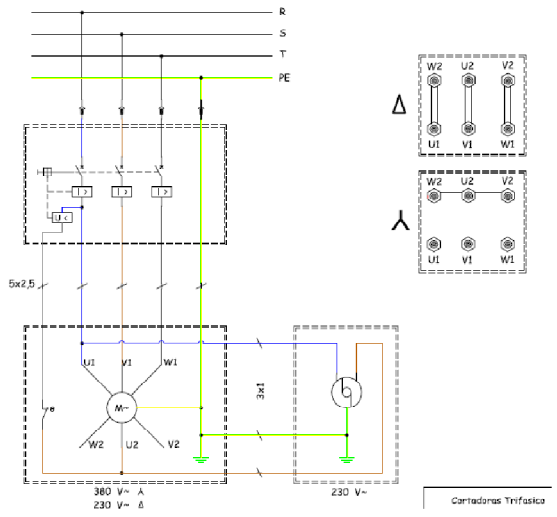
2P+T



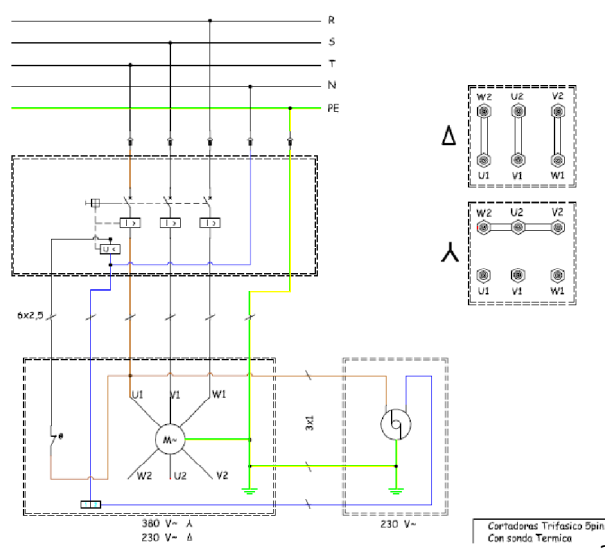
3P+T+(Sonda térmica)
 3P+T+(Termal probe)
 3P+T+(Sonde thermique)



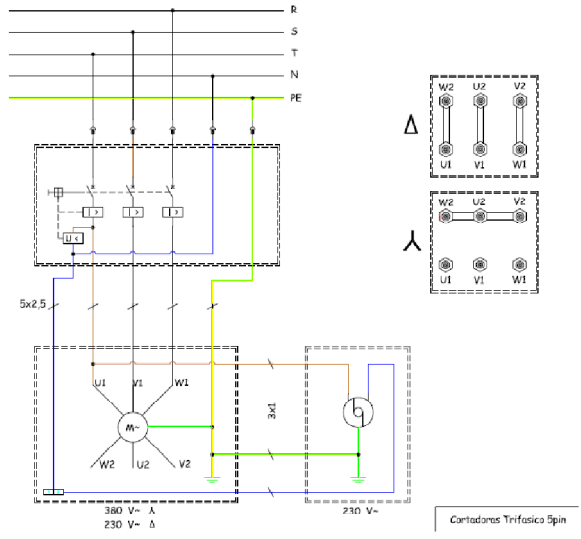
3P+T



3P+N+T+(Sonda térmica)
 3P+N+T+(Termal probe)
 3P+N+T+(Sonde thermique)



3P+N+T



CERTIFICADO DE GARANTÍA

SERVICIO POST-VENTA

EJEMPLAR PARA EL USUARIO FINAL

DATOS MÁQUINA

ETIQUETA MATRÍCULA

DATOS COMPRADOR

NOMBRE

DIRECCIÓN

C.P./POBLACIÓN

PROVINCIA/PAÍS

Tel.:

Fax:

e-mail

FECHA DE LA COMPRA

Firma y sello por el establecimiento Vendedor

Firma del Cliente

CONDICIONES DE GARANTÍA

- 1.) SIMA, S.A. garantiza sus productos contra cualquier defecto de fabricación haciéndose cargo de la reparación de los equipos averiados por esta causa, durante un periodo de UN AÑO, contados a partir de la FECHA DE COMPRA, que OBLIGATORIAMENTE debe reflejarse en el Certificado de Garantía.
- 2.) La garantía, cubre exclusivamente la mano de obra y reparación de las piezas defectuosas del producto cuyo modelo y número de serie de fabricación se indica en el Certificado de Garantía.
- 3.) Quedan totalmente excluidos los gastos originados por desplazamientos, dietas, alojamiento, así como los gastos de transporte hasta el domicilio de SIMA S.A., que serán por cuenta de cliente.
- 4.) No podrán atribuirse a defectos de fabricación las averías producidas por malos tratos, golpes, caídas, siniestros, uso indebido, exceso de voltaje, instalación inadecuada u otras causas no imputables al producto.
- 5.) Las reparaciones amparadas por la GARANTÍA, únicamente podrán realizarlas la propia empresa SIMA, S.A. o entidades autorizadas por ella, siendo competencia final del departamento técnico de SIMA S.A. la aceptación de la reparación en Garantía.
- 6.) Esta Garantía queda anulada a todos los efectos en los siguientes casos:
 - a) Por modificación y/o manipulación del Certificado de garantía.
 - b) Cuando por hecho o claro indicio las piezas que componen el producto se hayan reparado, modificado o sustituido, en todo o parte, por taller, entidad o persona NO autorizada por el departamento Técnico de SIMA,S.A.
 - c) Cuando se instalen en el producto piezas o dispositivos no homologados por SIMA, S.A.
- 7.) SIMA S.A. no asume la responsabilidad de los daños derivados o vinculados a una avería del producto. Estos incluyen, pero sin limitarse a ellos, las molestias, los gastos de transporte, las llamadas telefónicas y la pérdida de bienes personales o comerciales, así como la pérdida de sueldo o ingreso.
- 8.) En los motores eléctricos o de explosión, en caso de avería durante el periodo de Garantía, deben ser enviados al domicilio de SIMA S.A. o al servicio técnico autorizado por el fabricante del motor, para la determinación de su Garantía.
- 9.) El Certificado de Garantía deberá estar en poder de SIMA S.A. en un plazo no superior a los TREINTA días naturales a partir de la fecha de venta del producto, para poder ser beneficiario de la Garantía .Para reclamar la garantía deberá presentar factura de compra sellada por el establecimiento vendedor con el número de serie del producto.



SOCIEDAD INDUSTRIAL DE MAQUINARIA ANDALUZA, S.A.

POL. IND. JUNCARIL, C/ALBUÑOL, PARC. 250

18220 ALBOLOTE (GRANADA)

Tel.: 34 - 958-49 04 10 - Fax: 34 - 958-46 66 45

FABRICACIÓN DE MAQUINARIA PARA LA CONSTRUCCIÓN

ESPAÑA

CERTIFICADO DE GARANTÍA

SERVICIO POST-VENTA

EJEMPLAR PARA DEVOLVER AL FABRICANTE

DATOS MÁQUINA

ETIQUETA MATRÍCULA

DATOS COMPRADOR

NOMBRE

DIRECCIÓN

C.P./POBLACIÓN

PROVINCIA/PAÍS

Tel. :

Fax:

e-mail

FECHA DE LA COMPRA

Firma y sello por el establecimiento Vendedor

Firma del Cliente

CONDICIONES DE GARANTÍA

- 1.) SIMA, S.A. garantiza sus productos contra cualquier defecto de fabricación haciéndose cargo de la reparación de los equipos averiados por esta causa, durante un periodo de UN AÑO, contados a partir de la FECHA DE COMPRA, que OBLIGATORIAMENTE debe reflejarse en el Certificado de Garantía.
- 2.) La garantía, cubre exclusivamente la mano de obra y reparación de las piezas defectuosas del producto cuyo modelo y número de serie de fabricación se indica en el Certificado de Garantía.
- 3.) Quedan totalmente excluidos los gastos originados por desplazamientos, dietas, alojamiento, así como los gastos de transporte hasta el domicilio de SIMA S.A., que serán por cuenta de cliente.
- 4.) No podrán atribuirse a defectos de fabricación las averías producidas por malos tratos, golpes, caídas, siniestros, uso indebido, exceso de voltaje, instalación inadecuada u otras causas no imputables al producto.
- 5.) Las reparaciones amparadas por la GARANTÍA, únicamente podrán realizarlas la propia empresa SIMA, S.A. o entidades autorizadas por ella, siendo competencia final del departamento técnico de SIMA S.A. la aceptación de la reparación en Garantía.
- 6.) Esta Garantía queda anulada a todos los efectos en los siguientes casos:
 - a) Por modificación y/o manipulación del Certificado de garantía.
 - b) Cuando por hecho o claro indicio las piezas que componen el producto se hayan reparado, modificado o sustituido, en todo o parte, por taller, entidad o persona NO autorizada por el departamento Técnico de SIMA,S.A.
 - c) Cuando se instalen en el producto piezas o dispositivos no homologados por SIMA, S.A.
- 7.) SIMA S.A. no asume la responsabilidad de los daños derivados o vinculados a una avería del producto. Estos incluyen, pero sin limitarse a ellos, las molestias, los gastos de transporte, las llamadas telefónicas y la pérdida de bienes personales o comerciales, así como la pérdida de sueldo o ingreso.
- 8.) En los motores eléctricos o de explosión, en caso de avería durante el periodo de Garantía, deben ser enviados al domicilio de SIMA S.A. o al servicio técnico autorizado por el fabricante del motor, para la determinación de su Garantía.
- 9.) El Certificado de Garantía deberá estar en poder de SIMA S.A. en un plazo no superior a los TREINTA días naturales a partir de la fecha de venta del producto, para poder ser beneficiario de la Garantía .Para reclamar la garantía deberá presentar factura de compra sellada por el establecimiento vendedor con el número de serie del producto.



SOCIEDAD INDUSTRIAL DE MAQUINARIA ANDALUZA, S.A.

POL. IND. JUNCARIL, C/ALBUÑOL, PARC. 250

18220 ALBOLOTE (GRANADA)

Tel.: 34 - 958-49 04 10 - Fax: 34 - 958-46 66 45

FABRICACIÓN DE MAQUINARIA PARA LA CONSTRUCCIÓN

ESPAÑA



SOCIEDAD INDUSTRIAL DE MAQUINARIA ANDALUZA, S.A.

POL. IND. JUNCARIL, C/ALBUÑOL, PARC. 250

18220 ALBOLOTE (GRANADA)

Tel.: 34 - 958-49 04 10 - Fax: 34 - 958-46 66 45

FABRICACIÓN DE MAQUINARIA PARA LA CONSTRUCCIÓN

ESPAÑA



BALI

- Ⓔ **ES** MANUAL DE INSTRUCCIONES ORIGINAL
- Ⓔ **GB** ORIGINAL USER GUIDE
- Ⓔ **FR** MANUEL ORIGINAL D'UTILISATION

C/ Albuñol, par.250
Pol. Ind. Juncaril,
18220 ALBOLOTE (Granada) ESPAÑA
Telf: (+34)958 490 410
Fax: (+34) 958 466 645
info@simasa.com
www.simasa.com

DÉCLARATION "CE" DE CONFORMITE

SIMA, S.A.

Polígono Industrial Juncaril, C/ Albuñol, Parcela 250 C. P. 18220 Albolote, Granada (ESPAGNE)
Société responsable de la fabrication et de la mise en place sur le marché de la machine
spécifiée ci-dessous :

SCIE A MATÉRIAUX**DECLARE:**

Que la machine sus- indiquée destinée à la découpe sur chantier de matériaux de maçonnerie
tels que la pierre et autres remplit toutes les dispositions applicables du Comité directeur de
Machines (**2006/42/CE**) et les réglementations nationales.

Il s'acquitte aussi de toutes les dispositions applicables des Comités directeurs suivants :
directives communautaires **2006/95/CE; 2004/108/CE; 2000/14/CE; 2002/44/CE;**
2002/95/CE; 2002/96/CE

Normes applicables:

UNE-EN 292-1; UNE-EN 292 -2; UNE-EN 294 ; UNE-EN 349 ; UNE-EN 60204-1; UNE-EN 12418
UNE-EN 1050 ; UNE-EN 953

Coordonnées de la personne responsable du dossier technique.

Eugenio Fernández Martín
Technicien responsable

SIMA S.A.
Polígono Industrial Juncaril, C/ Albuñol, Parcela 250 - 18220 Albolote, Granada (ESPAGNE)

Albolote 01.01.2010



Signé par: Javier García Marina
Le gérant

TABLE DES MATIERES

DÉCLARATION "CE" DE CONFORMITE.....	2
1. INFORMATION GÉNÉRALE.....	4
2. DESCRIPTION GÉNÉRALE DE LA MACHINE.....	4
2.1 SYMBÔLES.....	5
3. TRANSPORT	6
4. BRANCHEMENT ELECTRIQUE ET SENS DE ROTATION	6
5. BRANCHEMENT ELECTRIQUE.....	7
6. RECOMMANDATIONS DE SÉCURITÉ.....	8
7. PARTIES DE LA MACHINE	9
8. MONTAGE ET DEMONTAGE DU DISQUE DE COUPE.....	10
8.1 MONTER OU REMPLACER UN DISQUE DE COUPE	10
9. INSTRUCTIONS DE MISE EN MARCHÉ ET UTILISATION.....	11
9.1 MONTAGE	11
9.2 REMPLISSAGE DU BAC.....	13
9.3 POSITION DE LA MACHINE ET DE L'OPÉRATEUR. BRANCHER ET DÉBRANCHER.....	13
9.4 CHANGER LA POSITION DU MONTANT POUR DISQUE DE 500 / 450 / 400.....	14
9.5 REGLAGE DE LA HAUTEUR DE COUPE.....	15
9.6 MODIFIER LA LONGUEUR DE COUPE.....	15
10. ENTRETIEN.....	16
10.1 TENDRE LA COURROIE.....	17
10.2 REMPLACER LA COURROIE.....	17
10.3 AJUSTER L'INCLINAISON DU DISQUE	18
10.4 EQUERRAGE DU DISQUE AVEC LES GLISSIÈRES.....	19
10. SOLUTION AUX ANOMALIES LES PLUS COURANTES.....	20
11. CARACTERISTIQUES TECHNIQUES	21
12. GARANTIE	22
13. PIÈCES DE RECHANGE	22
14. PROTECTION DE L'ENVIRONNEMENT.....	22
15. DECLARATION SUR LES BRUITS.....	22
16. DECLARATION SUR LES VIBRATIONS MÉCANIQUES.....	22
17. SCHÉMAS ELECTRIQUES	23
CERTIFICAT DE GARANTIE	24
CERTIFICAT DE GARANTIE	25

1. INFORMATION GÉNÉRALE.

ATTENTION: Lisez attentivement et analysez les instructions d'usage avant de commencer à manipuler la machine.

SIMA S.A. vous remercie de votre confiance et d'avoir acquis la SCIE A MATÉRIAUX modèle BALI MKNO.

Ce manuel vous fournit toutes les instructions nécessaires pour la mise en route, l'utilisation, l'entretien, et le cas échéant la réparation de la machine. Les aspects en matière de sécurité et hygiène des opérateurs sont aussi traités. Si les instructions sont correctement appliquées, le client obtiendra un service optimal et un entretien minime.

C'est pour cela que la lecture de cette notice est obligatoire pour toute personne responsable de son utilisation, entretien ou réparation.

On vous conseille d'avoir toujours ce manuel à portée de main dans un endroit accessible.

2. DESCRIPTION GÉNÉRALE DE LA MACHINE.

- Les scies à matériaux SIMA S.A., modèle BALI MKNO sont conçues et fabriquées pour la découpe de matériaux de construction sur chantier comme les blocs en béton ou parpaings jusqu'à 20 cm de haut ainsi que d'autres matériaux de construction et minéraux (carrelage, granito, brique, marbre, granit, tuile béton ou céramique, grés...). L'outil de coupe est un disque diamant qui, actionné par un moteur électrique, se refroidit grâce à une petite pompe électrique. Le matériau à couper doit avancer manuellement en poussant tout simplement le chariot où il se trouve. Ce modèle de machine est conçu pour scier des matériaux de premier choix.

Toute autre utilisation donnée à cette machine sera considérée inappropriée et dangereuse.

- Montée et descente de l'unité de coupe à différentes hauteurs.
- Possibilité de réglage de la longueur de coupe grâce au rapprochement de l'unité de coupe.
- Le chariot ou table porte-matériaux est doté de galets en forme de "U" qui s'ajustent parfaitement aux glissières.
- Dotée de 4 pieds démontables pour un transport aisé.
- Le chariot est pourvu d'une règle graduée qui permet de couper des pièces en angle.
- Equipée d'un carter pourvu de galeries pour le refroidissement de la lame de coupe.
- Machine protégée par un rideau contre les éclaboussures. Evite la projection de l'eau vers la partie postérieure de la machine.
- Les composants électriques sont conformes aux normes de sécurité communautaires.
- Le chariot ou table porte-matériaux sont équipés d'un élément de sécurité, qui évite tout mouvement sur les glissières pendant le transport.
- Le chariot ou la table porte-matériaux sont conçus avec un système anti-renversement. Ce dispositif évite la chute ou le renversement du chariot lorsque les pièces à couper sont trop grandes ou mal appuyées.
- Ce modèle de machine est fabriqué conformément aux directives européennes.
- Tous les roulements du moteur sont étanches ce qui lui confère une durée de vie maximale.

2.1 SYMBÔLES

Les symboles inclus sur la machine ont la signification suivante:



- PORT OBLIGATOIRE DE CHAUSSURES DE SÉCURITÉ..
- PORT OBLIGATOIRE DE CASQUE, LUNETTES ET PROTECTION AUDITIVE.
- LIRE LE MANUEL D'INSTRUCTIONS.
- PORT OBLIGATOIRE DE GANTS.
- NIVEAU DE PUISSANCE ACOUSTIQUE EMIS PAR LA MACHINE.



Machine branchée à 110V.



Machine branchée à 230V.



Machine branchée à 400V.



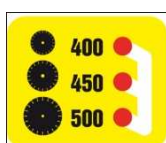
Surfaces chaudes.



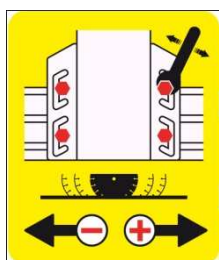
Passage interdit aux personnes externes au chantier. Danger avec l'outil de coupe.



Distance minimale de l'unité de coupe.

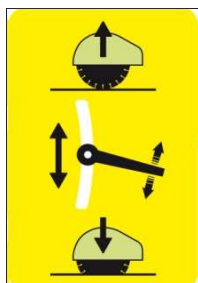


Hauteur de l'unité de coupe pour lames de 500, 450 et 400.



Réglage de la longueur de coupe.

Sélection de la hauteur de l'unité de coupe en fonction du disque.



Réglage de la hauteur de coupe.

3. TRANSPORT

Une fois déballée, il est très simple de déplacer la machine d'un lieu de travail à un autre entre deux personnes.

On vous conseille de vider le bac à eau avant de déplacer la machine dans le but d'éviter des éclaboussures ou des écoulements. Il est également nécessaire de bloquer le chariot pour éviter tout mouvement pendant le transport. Vérifier aussi que les vis des pieds soient correctement fixées au bac à eau pour éviter tout détachement pendant le transport ou le levage de la machine.



4. BRANCHEMENT ELECTRIQUE ET SENS DE ROTATION

Lors de la réception de la machine et avant de la brancher au réseau, s'assurer que la tension soit la correcte L'indicateur de tension est visible sur le contacteur.



ATTENTION: ne pas brancher la machine au réseau si vous n'êtes pas sûrs de l'alimentation électrique. Dans le cas de figure où la tension n'est pas correcte le moteur pourrait souffrir des dommages irréparables et serait hors service.



Ensuite, il faut vérifier le sens de rotation du moteur comme l'indique la flèche qui se trouve sur le carter du disque. Pour cela il est nécessaire de brancher la machine au réseau et de la mettre en marche tout en observant le sens de rotation du moteur marqué par la flèche. On peut changer éventuellement le sens de rotation en changeant 2 fils sur la base aérienne ou sur le câble d'alimentation de la machine.

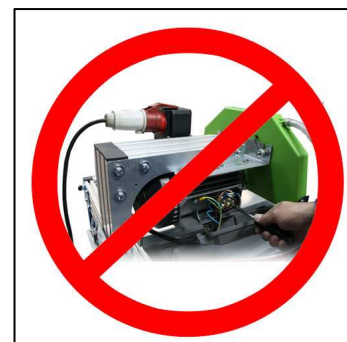
Si vous souhaitez changer ces 2 fils conducteurs, procéder lorsque la machine est débranchée.



ATTENTION: ne jamais manipuler les câbles d'alimentation ou tout autre composant électrique de la machine si celle-ci n'a pas été débranchée du réseau électrique.



ATTENTION: débrancher la machine du réseau avant de changer la position des plaquettes sur les moteurs. Il faudra aussi changer les étiquettes adhésives indicatives de la tension.



5. BRANCHEMENT ELECTRIQUE

L'installation électrique des scies à matériaux a un indice de protection IP54.

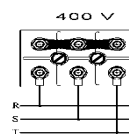
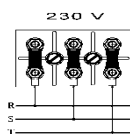
Les boîtiers électriques de ces machines sont équipés d'une bobine de manque de tension qui permet d'éviter les démarrages imprévus. Dans le cas d'une coupure de courant ou baisse de tension, le moteur ne démarrera pas avant d'avoir appuyé sur le bouton vert de mise en route.



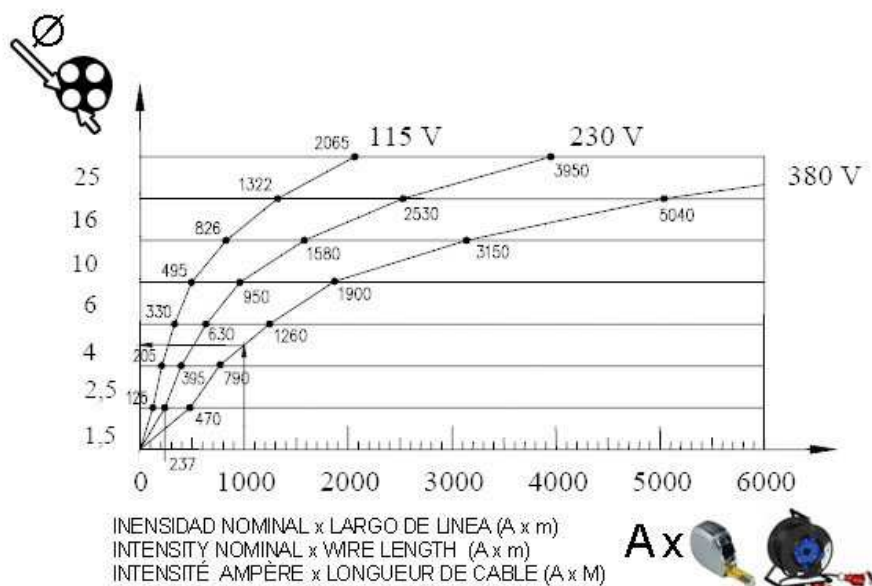
ATTENTION: Les scies à matériaux modèle BALI équipées de moteur triphasé sortent par défaut d'usine branchées pour travailler à 400 V.



ATTENTION: Dans le cas où l'opérateur souhaite utiliser une tension de 230 V, il devra impérativement changer la position des bornes, selon le schéma ci-dessous:



ATTENTION: le câble d'alimentation de la machine doit avoir une section minimale selon le schéma.



6. RECOMMANDATIONS DE SÉCURITÉ



Les machines équipées de moteurs électriques doivent être toujours branchées à un cadre électrique normalisé qui doit disposer d'un magnétothermique et d'un différentiel en accord avec les caractéristiques du moteur. Voir tableau.

	
2.2kw/3 CV -230V	20A/300mA
3kw/4 CV - 230V	20A/300mA
3kw/4 CV - 400V	15A/300mA

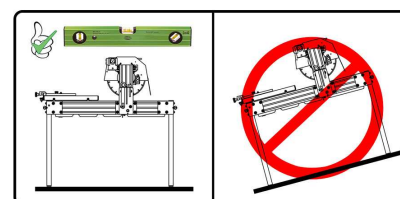


TRÈS IMPORTANT: la prise de terre doit toujours être branchée avant la mise en marche.

- Utiliser des câbles d'extension normalisés.
- Contrôler que le voltage du réseau électrique auquel va être branché la machine coïncide avec celui de l'adhésif de la machine.
- Vérifier que le câble d'alimentation ne soit pas en contact avec de hautes températures, de l'huile ou des arêtes coupantes. Eviter que le câble soit piétiné par le passage de voitures ou de déposer des objets sur lui.
- Ne pas utiliser de l'eau à pression pour nettoyer les circuits et composants électriques.



- Les câbles électriques qui présentent des coupures ou cassures doivent être immédiatement changés.
- Maintenir les éléments de sécurité dans leur position.
- Utiliser des éléments de sécurité homologués (gants, casque, lunettes, chaussures...)
- Débrancher la machine du réseau et ne jamais manipuler les éléments mécaniques et électriques de la machine lorsque celle-ci est en route.
- Les scies à matériaux doivent être utilisées par des personnes qui sont familiarisées avec leur fonctionnement.
- Soyez vigilants et ne pas autoriser la présence de tierces personnes lorsque la machine est en fonctionnement.
- Interdire tout accès et manipulation de la machine par des personnes qui ne sont pas familiarisées avec la machine.
- Les vêtements de travail ne doivent pas avoir de parties non ajustées qui peuvent éventuellement se coincer dans la machine.
- Avant la mise en marche de la machine, lire attentivement la notice d'instruction et suivre les consignes de sécurité. Il est important de savoir comment arrêter la machine de façon rapide et en toute sécurité.
- La machine doit être placée sur une surface plate et stable, sans obstacles et bien éclairée. Ne pas la brancher sans avoir garanti au préalable la totale stabilité de la machine.
- Assurez-vous que la machine est en parfait état technique et complètement opérative.
- Ne pas mettre la machine en marche si toutes les protections et carters conçus ne sont pas montés.



- Lors du déplacement de la machine, arrêter le moteur et vérifier que les parties mobiles soient bloquées.
- Utiliser seulement les disques spécifiés dans cette notice.



Cette machine **NE PEUT ÊTRE UTILISÉE SOUS LA PLUIE. La couvrir si besoin est avec une housse imperméable. Si la machine a été exposée aux intempéries, contrôler avant de la brancher que les parties électriques ne sont ni mouillées ni humides. TOUJOURS TRAVAILLER SOUS DE BONNES CONDITIONS D'ILLUMINATION**

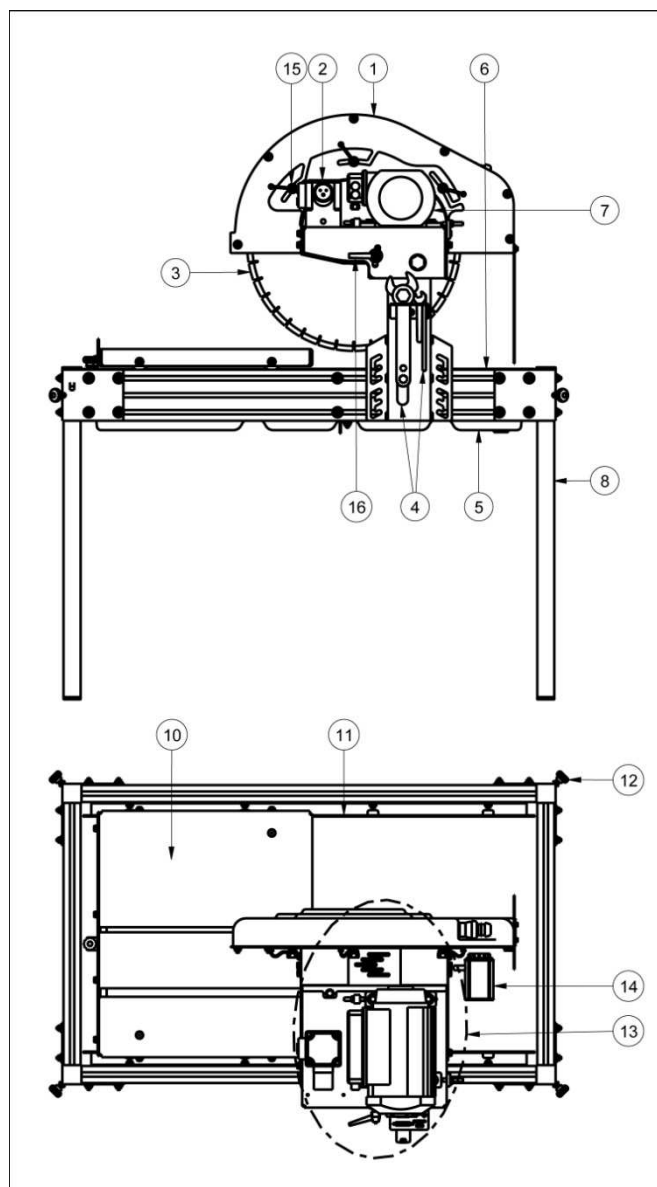


Attention: vous devez impérativement suivre les recommandations en matière de sécurité et de prévention des risques.

SIMA, S.A. n'est pas tenu responsable des conséquences dérivées d'une utilisation inappropriée de la scie à matériaux BALI MKNO.

7. PARTIES DE LA MACHINE

1. Carter du disque.
2. Interrupteur.
3. Disque.
4. Outils.
5. Bac.
6. Bâti.
7. Moteur.
8. Pieds.
- 9.
10. Chariot de tranport.
11. Glissières du chariot.
12. Pommeaux de serrage des pieds.
13. Unité de coupe.
14. Pompe à eau.
15. Volant de réglage du carter du disque.



8. MONTAGE ET DEMONTAGE DU DISQUE DE COUPE

Les scies à matériaux modèle BALI MKNO ont été conçues pour être utilisées avec des outils diamantés à jante continue ou segments soudés laser de diamètre 500,450 et 400 mm. Ces disques ont des applications différentes selon le matériau à couper. C'est pour cela qu'un choix adapté assurera performance et résultat final.

Contrôler que la vitesse de rotation du disque que l'utilisateur va placé soit supérieure à la vitesse maximale de la machine.

Le disque est un des éléments essentiels sur une scie. Un disque en bon état est capital pour que le rendement de la machine soit optimal. Changer immédiatement le disque si celui-ci est abîmé, tordu ou fendu.

Ne pas utiliser un autre type de disque que celui spécifié dans cette notice et contrôler qu'il ait les caractéristiques requises quant au diamètre, alésage et vitesse de rotation.

Prendre en considération qu'il existe plusieurs types de disques en fonction du matériau à couper. Choisir le disque approprié à chaque application.

C'est pour cela que nous vous conseillons de toujours utiliser des DISQUES D'ORIGINE SIMA qui sont conformes aux dispositions techniques en matière de sécurité. Nous vous offrons une vaste gamme par couleurs selon l'application du client.

8.1 MONTER OU REMPLACER UN DISQUE DE COUPE

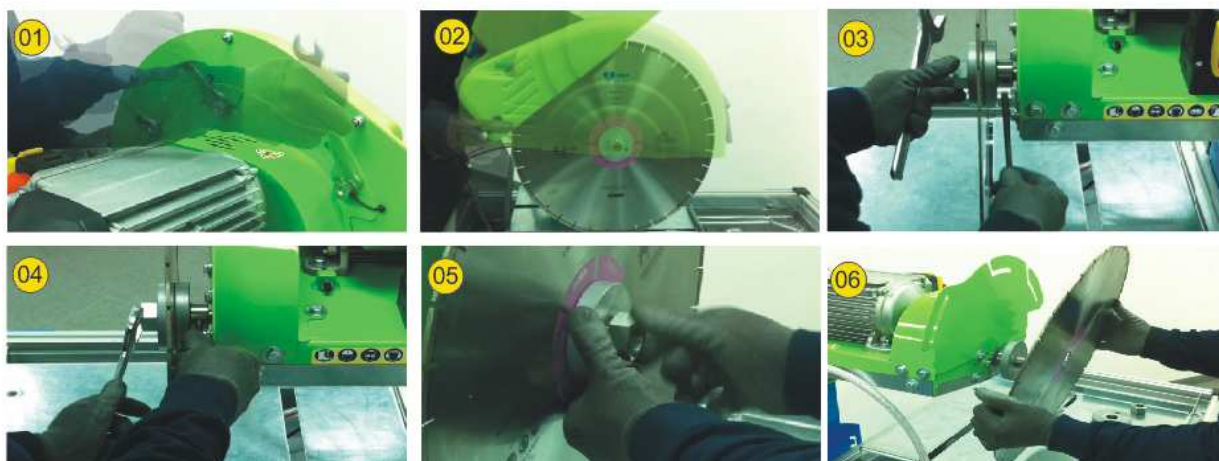
Pour monter ou changer le disque, il faut:

- Vérifier que le câble du réseau soit débranché de la prise de la machine.
- Retirer le carter du disque de la tête de la machine en dévissant les molettes de serrage.
- Introduire la clé hexagonale de 36 mm dans l'écrou. Bloquer le sens de l'arbre du disque grâce au poinçon, desserrer l'écrou et retirer la flasque extérieure. **ATTENTION: l'écrou a un pas de vis à gauche.**
- Placer le disque sur sa broche et contrôler qu'il soit bien centré. Assurez-vous que le sens de rotation du disque de coupe soit correct. La flèche sur le disque doit coïncider avec la flèche gravée sur le carter.
- Placer à nouveau la flasque extérieure et serrer l'écrou en utilisant le jeu de clés utilisés auparavant.
- Contrôler l'accouplement entre le disque et les flasques avant le serrage définitif de l'écrou.
- Remettre le carter du disque et bien serrer les molettes qui le fixent à la tête de coupe.
- Pour démonter le disque procéder en sens inverse.



ATTENTION : retirer les outils utilisés avant de brancher la machine et contrôler que tous les éléments de la machine soient dans leur position.

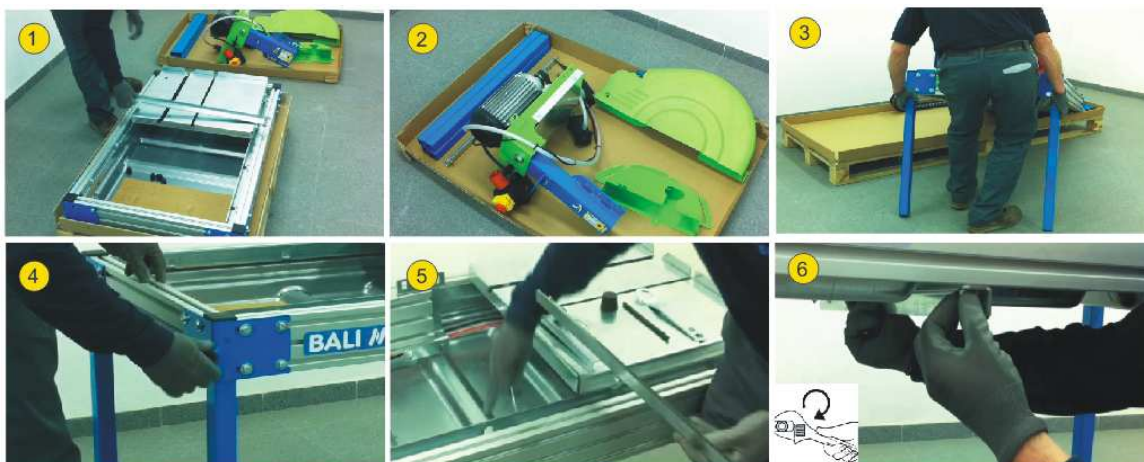
- Brancher la machine au réseau.



9. INSTRUCTIONS DE MISE EN MARCHÉ ET UTILISATION

9.1 MONTAGE

1. Placer tous les éléments hors du bac. Monter les pieds en les fixants avec les volants. Ensuite monter le renfort intérieur du bâti.



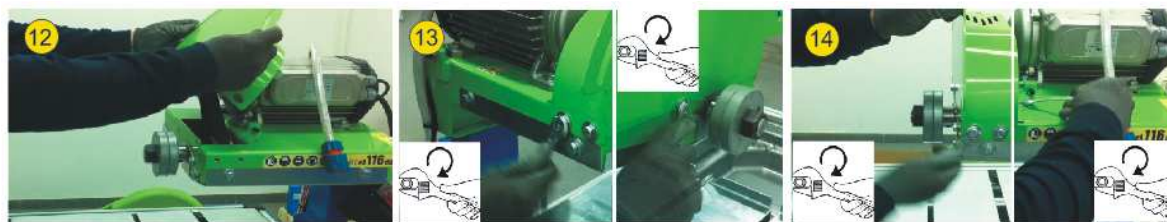
2. Monter l'accessoire en carton et le placer sur le chariot afin de procéder au montage de l'unité de coupe. L'unité de coupe doit être placée sur le latéral qui porte l'adhésif. Serrer l'unité de coupe avec les 4 vis.



3. Ensuite placer l'interrupteur et faire coulisser les cables dans la rainure du chariot.



4. Monter la poulie et la fixer avec les vis.



5. Maintenant monter le disque. Pour cela, retirer l'écrou et la flasque extérieure. Placer le disque sur l'arbre et placer à nouveau la flasque. Serrer fortement l'écrou et faire tourner le disque à la main tout en vérifiant qu'il soit bien équilibré et sans aucun mouvement étrange.



6. Monter le carter du disque et le fixer avec les trois volants.

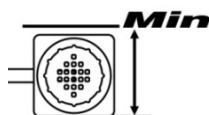


9.2 REMPLISSAGE DU BAC

Les scies à matériaux modèle BALI MEKANO ont été conçues pour travailler avec des disques diamant refroidis à l'eau. C'est pour cela que l'un des composants essentiels de sa structure soit le bac à eau qui fait fonction de réservoir de refroidissement en circuit fermé (l'eau est pompée jusqu'au disque).



ATTENTION : avant de brancher la machine au réseau électrique il faut remplir le bac à eau jusqu'à ce que la pompe à eau soit immergée.



Pendant les opérations de coupe, beaucoup d'impuretés s'accumulent dans le fond du bac. Il faut alors fréquemment changer l'eau dans le but de garantir le bon fonctionnement de la pompe et un refroidissement optimal du disque. Le bac est doté d'un bouchon de vidange qui facilite cette tâche.



ATTENTION: ne pas oublier de laver la pompe à eau à la fin de la journée de travail. Pour cela, dévisser le cache, immerger la pompe dans un seau avec de l'eau propre. Brancher la machine et faire circuler l'eau jusqu'à ce qu'elle sorte propre par les tuyaux de refroidissement. Débrancher alors la machine et revisser le cache sur la pompe.



9.3 POSITION DE LA MACHINE ET DE L'OPÉRATEUR. BRANCHER ET DÉBRANCHER.

La machine doit être placée sur une surface plate et stable, sans obstacles et bien éclairée.

Avant la mise en route, l'opérateur doit procéder aux vérifications décrites antérieurement (branchement électrique, stabilité, protections, etc).

Lors de la mise en place de la machine, s'assurer que celle-ci soit posée sur une surface horizontale et sur un terrain dur.

Pour commencer à travailler, l'opérateur doit se placer face à la machine. Dans cette position, il pourra manier plus aisément le chariot qui supporte la pièce à couper. De plus, l'interrupteur sera toujours accessible.

Une fois le câble d'alimentation branché, le moteur et la pompe à eau se mettront en marche en appuyant tout simplement sur le bouton vert du contacteur.

Pour l'arrêter, il faut simplement appuyer sur le bouton rouge du contacteur.



La découpe s'effectue en poussant manuellement le matériau sur le chariot en direction du disque de coupe.

Commencer la découpe lentement et graduer l'avance en fonction de la profondeur de coupe et de la dureté du matériau. Une avance excessive peut provoquer une découpe deffectueuse ou le blocage du disque.

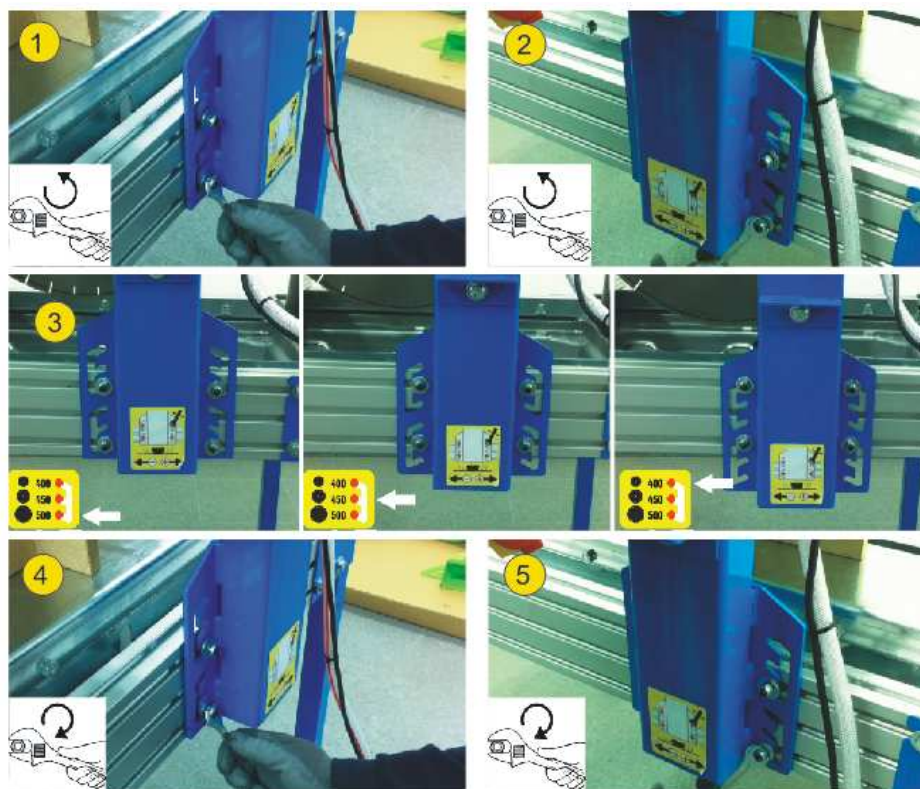
La pompe à eau se met en marche de façon simultanée avec le moteur. Avant de couper le matériau, s'assurer que le disque est correctement refroidi.



9.4 CHANGER LA POSITION DU MONTANT POUR DISQUE DE 500 / 450 / 400.

Pour utiliser les disques diamètre 500, 450 et 400 il faut régler l'unité de coupe à des hauteurs différentes. Procéder de la manière suivante:

- Desserrer les 4 vis qui fixent la colonne.
- Monter ou descendre la colonne selon vos besoins.
- Serrer à nouveau les 4 vis.
- Monter le nouveau disque de coupe et son carter.

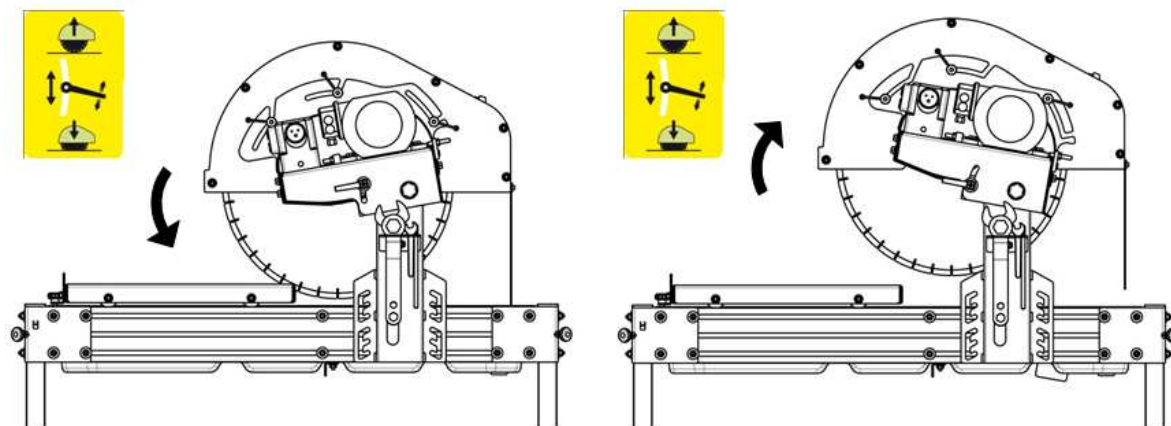


Attention: ne jamais utiliser la machine dans une position inférieure à celle du disque. Dans ce cas de figure, l'opérateur pourrait couper le chariot.

9.5 REGLAGE DE LA HAUTEUR DE COUPE.

Pour régler la hauteur de coupe avec plus de précision ou pour réaliser des découpes de 20 cm en deux passes, il faut le réaliser grâce à la manivelle.

1. Desserrer la manivelle.
2. Monter ou baisser la tête de coupe.
3. Serrer la manivelle.
4. Placer le carter du disque à l'horizontale à l'aide des 3 volants.



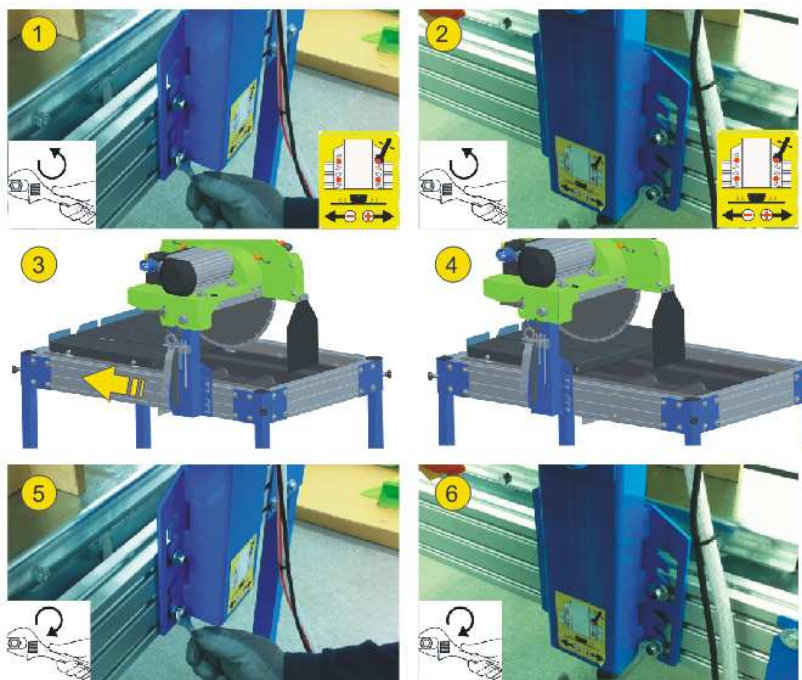
Attention: contrôler au moment de choisir la hauteur que le disque ne coupe pas le chariot de transport.

9.6 MODIFIER LA LONGUEUR DE COUPE

Pour modifier la longueur de coupe en cas de besoin et afin que le travail soit plus confortable pour l'opérateur lorsque la longueur de coupe est moindre, il y a possibilité sur la BALI MKNO de déplacer l'unité de coupe sur le côté latéral de la machine.

Pour modifier la longueur de coupe il faut procéder de la manière suivante.

- Desserrer les 4 vis comme l'indique l'adhésif.
- Déplacer l'unité de coupe jusqu'au point souhaité et serrer à nouveau les vis.



10. ENTRETIEN

La scie à matériaux modèle BALI MKNO requiert un entretien simple que nous résumons comme suit:

- Changer l'eau du bac et nettoyer la machine si besoin est. Le bac dispose d'un bouchon de vidange. Le niveau de remplissage du bac doit couvrir complètement la pompe mais ne doit pas atteindre les glissières.
- Même si la pompe à eau dispose d'un filtre, il est fréquent que des impuretés ou des restes de matériau bloquent l'hélice. Pour cela nous vous conseillons de faire fonctionner la pompe dans un récipient d'eau propre durant quelques minutes. Si cela s'avère nécessaire, dévisser le filtre et nettoyer l'hélice jusqu'à ce qu'elle tourne sans problème.
- Eliminer les éventuels restes de matériau qui se déposent sur les glissières du chariot.
- Changer immédiatement tout câble électrique ayant des coupures ou autres imperfections.
- Si la machine reste à l'extérieur, la couvrir avec une housse imperméable.
- A la fin de chaque journée, éteindre la machine et la débrancher.

Les opérations d'entretien doivent être effectués de préférence par du personnel qualifié.

Toute manipulation de la machine doit se faire avec le moteur arrêté et le câble d'alimentation débranché. Ne pas oublier de retirer les outils utilisés.

Si des anomalies apparaissent, faire réviser la machine par un technicien spécialisé.

Tenir compte des consignes de sécurité décrites dans cette notice.



Il est formellement interdit de modifier toutes pièces, éléments ou caractéristiques de la machine. SIMA, S.A. ne sera en aucun cas tenu responsable des conséquences dérivées du non-respect de ces recommandations.

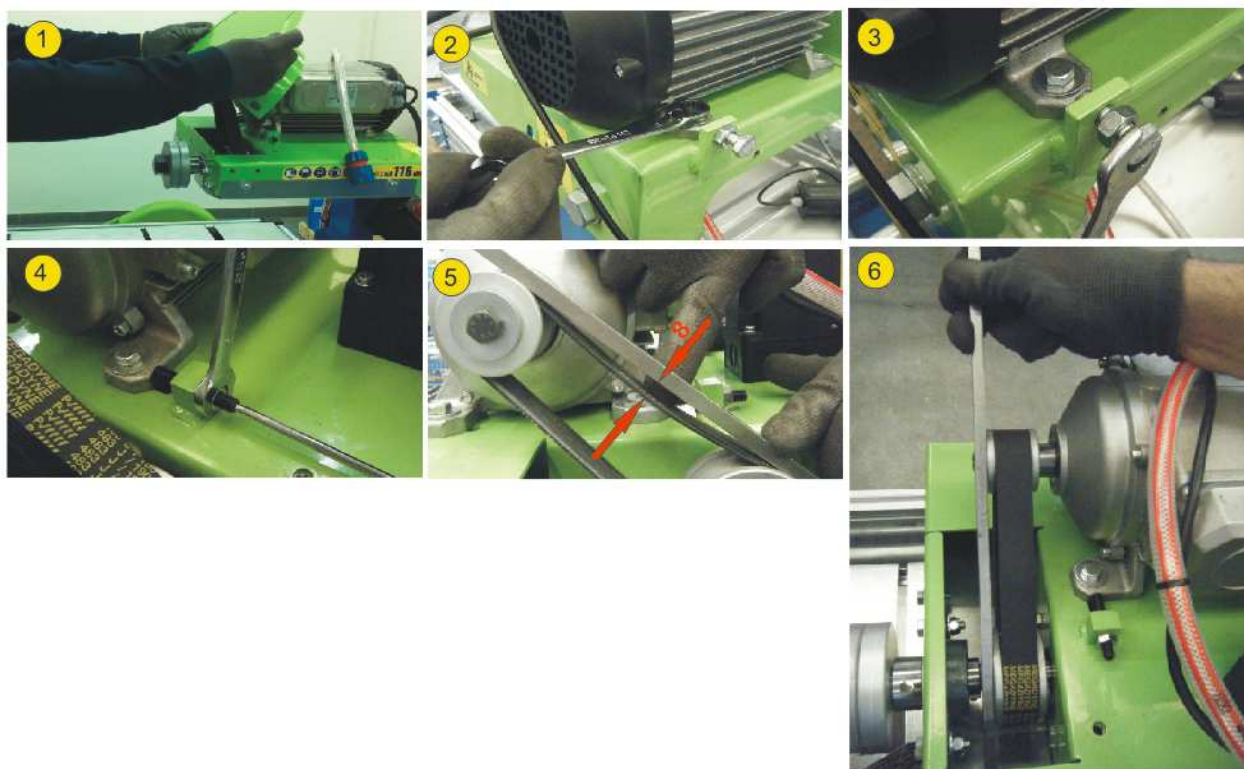
10.1 TENDRE LA COURROIE.

Les courroies de transmission ont tendance à patiner et se dégrader prématurément. Pour tendre la courroie, il faut procéder de la façon suivante:



ATTENTION: débrancher la machine du réseau afin de commencer à tendre la courroie.

1. Retirer les carters
2. Desserrer les vis du moteur.
3. Agir sur les tenseurs et tendre la courroie en vérifiant avec une règle l'élasticité de la courroie telle qu'elle apparaît sur l'image ci-dessous.
4. Vérifier avec une règle que la poulie du moteur et la poulie de l'arbre du disque soient bien alignées et ainsi éviter que la courroie ne "déraille" pas lorsque le moteur tourne.
5. Serrer à nouveau toutes les vis et monter les carters.



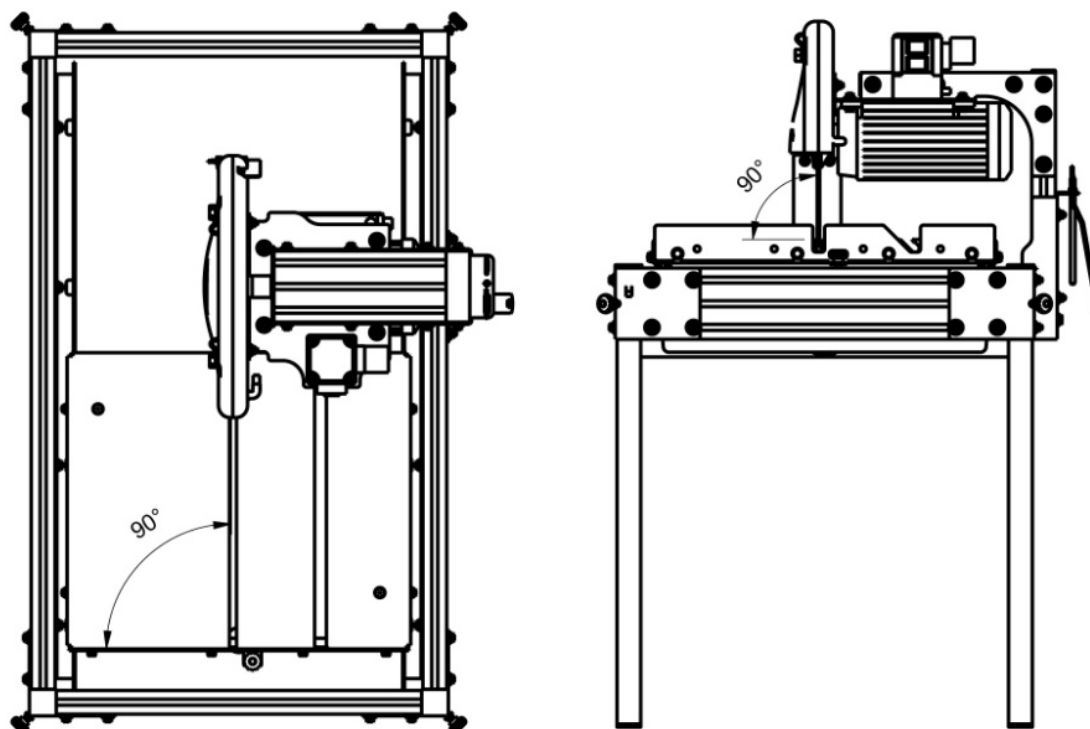
10.2 REMPLACER LA COURROIE.

1. Pour changer la courroie, il faut procéder comme indiqué sur le paragraphe antérieur. De plus il faudra démonter les roulements pour la changer.
2. Une fois la courroie remplacée, monter les roulements et avant de la tendre, équarrer la coupe comme indiqué au point **10.4**.



10.3 AJUSTER L'INCLINAISON DU DISQUE

Les scies à matériaux modèle BALI MKNO sortent d'usine parfaitement réglées pour qu'en assemblant l'unité de coupe le disque forme un angle de 90° par rapport à la table de coupe verticalement et horizontalement. Si par hasard, la machine recevait un coup ou autre, elle ne serait plus ajustée et dans ce cas là il faut faire appel au service technique le plus proche pour procéder à la réparation.



10.4 EQUERRAGE DU DISQUE AVEC LES GLISSIÈRES

Pour réaliser cette opération, il est indispensable d'utiliser une aiguille en acier taillée de 4 ou 5 mm de diamètre et de 350 mm de long. Il faut également une pièce en céramique (carreau ou grés) et un morceau de craie. Il faudra alors:

- Débrancher la machine du réseau électrique.
- Ôter le carter et le disque.
- Placer sur le chariot la pièce à l'envers et marquer avec la craie la partie centrale du carreau.
- Placer l'aiguille entre les flasques du disque de telle façon à ce que la pointe frôle le carreau dans la partie où il y a de la craie. Serrer l'écrou de l'arbre du moteur.
- Déplacer le chariot et vérifier que l'aiguille trace une ligne droite sur le carreau.
- Ensuite, tourner l'axe du moteur pour que l'aiguille se place dans le côté opposé et déplacer le chariot en sens contraire pour tracer avec l'aiguille une nouvelle ligne qui devra exactement coïncider avec la première. Si cela n'est pas le cas, retirer le carter inférieur.
- Desserrer les vis tenseurs et les vis du moteur afin de libérer la courroie.
- Desserrer les vis des roulements arrière de telle façon à faire bouger le roulement à coup de marteau.
- Frapper en douceur l'arbre du disque dans la bonne direction pour corriger l'écart jusqu'à obtenir deux lignes tracées à la craie dans la zone signalée.
- Lorsque l'équerrage est correct, serrer fortement le roulement, tendre la courroie et serrer les vis du moteur. Monter le disque et le carter.



10.SOLUTION AUX ANOMALIES LES PLUS COURANTES

ANOMALIE	CAUSE POSSIBLE	SOLUTION
Le moteur ne démarre pas	Manque de tension électrique	Réviser le boîtier électrique du chantier. Contrôler la position du magnétothermique et du différentiel. Contrôler le bon état du câble et du branchement aux deux extrémités.
	Activer le protecteur thermique (contacteurs monophasés)	Attendre que le moteur refroidisse et réarmer le protecteur thermique.
	Contacteur en panne	Le changer
	Disque bloqué	Eliminer les obstacles qui empêchent sa rotation
Le moteur démarre très lentement et tarde trop à atteindre son régime	Condensateur endommagé (moteurs monophasés)	Le changer
Puissance de coupe insuffisante	Emoussement des segments diamantés du disque	Réaviver l'outil dans un matériau abrasif (grès, béton, pierre émeri)
	Disque inadéquat	Utiliser l'outil approprié au matériau
	Faible puissance du moteur	Faire contrôler le moteur par le service technique
Faible refroidissement du disque	Niveau d'eau du bac insuffisant	Compléter le niveau
	Pompe bouchée	Dévisser le filtre et nettoyer le filtre et l'hélice
	Pompe abîmée	Changer la pompe
	Soupape fermée	Ouvrir la soupape
Usure précoce du disque	Refroidissement insuffisant	Vérifier le kit de refroidissement
	Progression excessive	Baisser la progression
	Disque inadéquat	Utiliser le disque approprié au matériau
Coupe défectueuse	Mauvais équerrage de la machine	Procéder à l'équerrage selon les indications du
	Disque abîmé ou usé	Changer l'outil
	Disque inadéquat	Utiliser le disque approprié au matériau
Présence de vibrations	Le disque oscille	Faire réviser le disque et le monter à nouveau
	Fixation du disque défectueuse	Contrôler l'emboîtement des flasques et de la broche machine. Bien serrer l'écrou
	Disque gondolé	Changer l'outil

11. CARACTERISTIQUES TECHNIQUES

DONNÉES	BALI MKNO MONOPH.	BALI MKNO TRIPH.
PUISSANCE MOTEUR	2,2KW	3KW
ALIMENTATION DU MOTEUR	110V~ / 230V~	230V~/400V~
REGIME MOTEUR	2800 R.P.M.	
PUISSANCE DE LA POMPE A EAU	50W	
ALIMENTATION DE LA POMPE À EAU	110V~ / 230V~	230V~
DIAMÈTRE MAXI. DU DISQUE	500 mm	
ALÉSAGE DU DISQUE	25,4 mm	
LONGUEUR DE COUPE	AVEC DISQUE DIAMETRE 500: 480 mm	
PROFONDEUR DE COUPE	AVEC DISQUE DIAMETRE 450: 175 mm	
	AVEC DISQUE DIAMETRE 400: 150 mm	
CAPACITÉ BAC À EAU	45 LITRES (niveau nécessaire)	
POIDS NET	89,2Kg	
ENCOMBREMENT L x A x H (mm.)	1214 x 839 x 1374	

12. GARANTIE

SIMA S.A fabricant de machines pour les BTP dispose d'un réseau de services techniques RED SERVI-SIMA. Les réparations effectuées par notre réseau SERVI SIMA garantissent service et qualité.

SIMA S.A. garantit tout ce qu'elle fabrique contre n'importe quel défaut de fabrication, en restant protégée par les conditions spécifiées dans le document adjoint CONDITIONS DE GARANTIES.

Les conditions de garantie cesseront en cas d'un inaccomplissement des conditions de paiement établies.

SIMA S.A. se réserve le droit de modifier ses produits sans préavis

13. PIÈCES DE RECHANGE

Les pièces détachées disponibles pour les scies à matériaux modèle BALI MKNO, fabriquées par SIMA, S.A. sont répertoriées sur la vue éclatée, jointe à cette notice et être visualisées sur notre magasin B2B.

Pour passer commande, il suffit de prendre contact avec le service après-vente de SIMA S.A. et de spécifier clairement le **repère** de la pièce en question, ainsi que le **modèle, le numéro et l'année de fabrication** (données qui apparaissent sur la plaque de caractéristiques de la machine).

14. PROTECTION DE L'ENVIRONNEMENT.



Les matières premières devront être récupérées au lieu de jeter les restes. Les appareils, les accessoires, les fluides et les emballages devront être envoyés aux endroits indiqués pour leur réutilisation écologique. Les composants de plastique sont marqués pour leur recyclage sélectionné.



R.A.E.E. Les déchets d'appareils électriques et électroniques devront être déposés dans des lieux indiqués pour leur ramassage sélectif.

15. DECLARATION SUR LES BRUITS.

Niveau de puissance acoustique émise par la machine.

BALI-500

LWA (dBa) 116

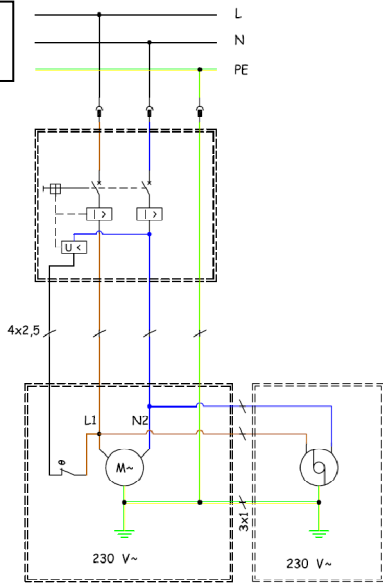
16. DECLARATION SUR LES VIBRATIONS MÉCANIQUES.

Le niveau d'exposition des vibrations transmis au système main-bras est:

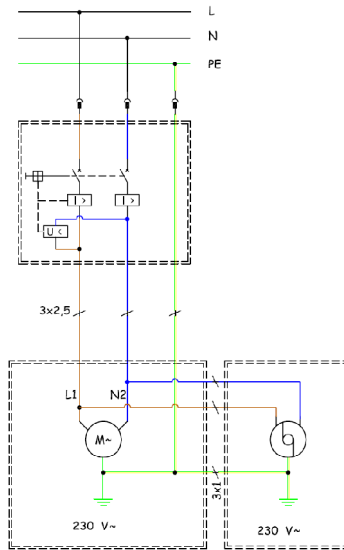
MODELE	POUR LA MAIN GAUCHE m/ s ²	POUR LA MAIN DROITE m/ s ²
BALI-500	1,48071187620	1,97781276584

17. SCHÉMAS ELECTRIQUES

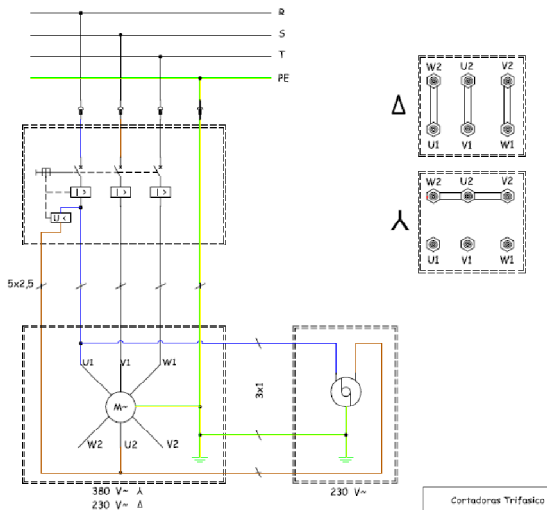
2P+T+(Sonda térmica)
 2P+T+(Thermal probe)
 2P+T+(Sonde thermique)



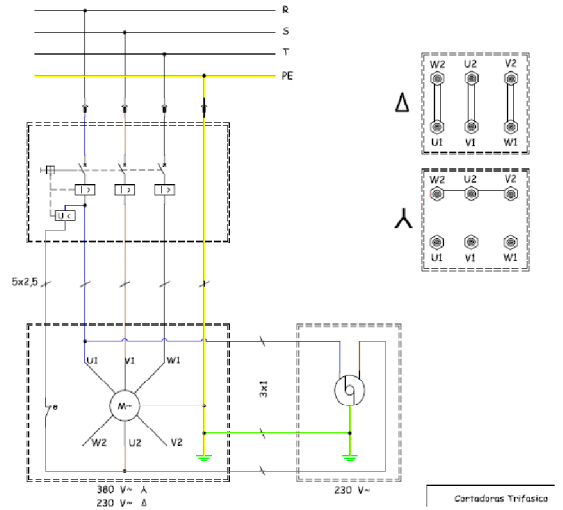
2P+T



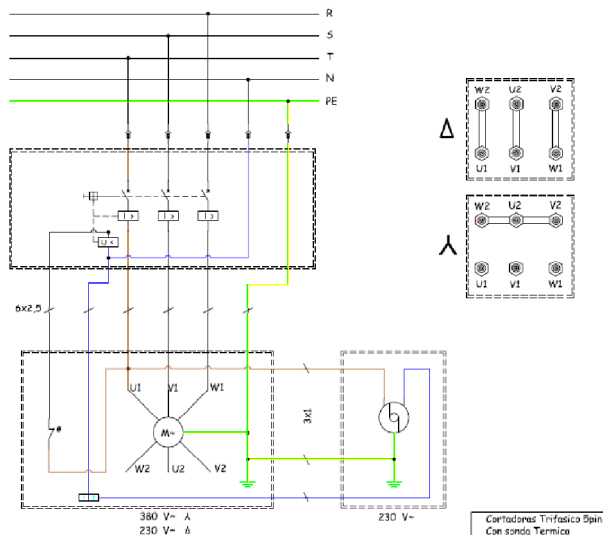
3P+T+(Sonda térmica)
 3P+T+(Thermal probe)
 3P+T+(Sonde thermique)



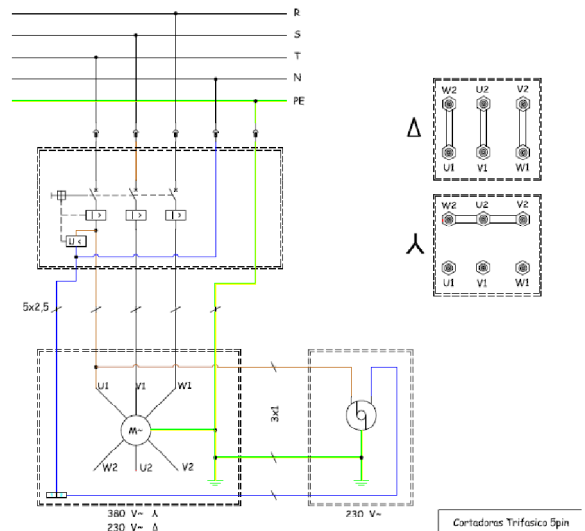
3P+T



3P+N+T+(Sonda térmica)
 3P+N+T+(Thermal probe)
 3P+N+T+(Sonde thermique)



3P+N+T



CERTIFICAT DE GARANTIE

SERVICE APRÈS-VENTE

EXEMPLAIRE POUR L'UTILISATEUR FINAL

DONNÉES MACHINE

ETIQUETTE N° DE SERIE

DONNÉES ACHETEUR

NOM

ADRESSE

C.P./VILLE

PROVINCE/PAYS

Tel.:

Fax:

e-mail

DATE D'ACHAT

Signature et cachet du vendeur

Signature du client

CONDITIONS DE GARANTIE

- 1.) SIMA, S.A. garantit ses machines contre tout vice de fabrication et prend ainsi en charge la réparation des matériels livrés durant une période d'un an à partir de la date d'achat. Cette date doit OBLIGATOIREMENT apparaître sur le coupon de GARANTIE adjoind.
- 2.) La garantie couvre exclusivement la main d'oeuvre et la réparation des pièces défectueuses du produit dont le modèle et numéro de série sont indiqués sur le certificat de garantie.
- 3.) Les frais tels que déplacements, hôtels et frais de transport jusqu'aux installations de SIMA S.A. sont à la charge du client.
- 4.) Les vices de fabrication tels que les avaries produites par une utilisation inadéquate, une chute, une poussée de tension, un mauvais coup, une installation électrique inappropriée ne peuvent être considérés sou garantie.
- 5.) Les réparations sous GARANTIE devront être seulement réalisées par SIMA SA ou un autre SAV autorisé. Le bon pour accord de la réparation sous garantie sera octroyé par le service technique de SIMA S.A.
- 6.) La garantie est annulée dans les cas de figure décrits ci-après :
 - a) en cas de modification et/ou manipulation du certificat de garantie.
 - b) au cas où les pièces qui composent le produit ont été réparées, modifiées ou remplacées partiellement ou totalement par un atelier ou personnel non autorisé par le service technique de SIMA S.A.
 - c) Lorsque des pièces ou dispositifs non homologués par SIMA S.A. sont installés sur le produit.
- 7.) SIMA S.A. n'assume pas la responsabilité des dommages dérivés ou liés à une avarie du produit. Ceux-ci incluent les frais de transport, les appels téléphoniques et la perte de biens personnels ou commerciaux ainsi que la perte de salaire.
- 8.) Pour les moteurs électriques ou à explosion en cas d'avarie pendant la période de garantie, ils doivent être expédiés au siège social de SIMA S.A. ou au SAV autorisé (fabricant du moteur).
- 9.) Le certificat de garantie doit être chez SIMA SA. dans un délai maximum de 30 jours à partir de la date de vente du produit. Pour réclamer la garantie du produit, il faut présenter la facture d'achat dûment cachetée par l'établissement vendeur et le numéro de série du produit.



SOCIEDAD INDUSTRIAL DE MAQUINARIA ANDALUZA, S.A.
 POL. IND. JUNCARIL, C/ALBUÑOL, PARC. 250
 18220 ALBOLOTE (GRANADA)
 Telf.: 34 - 958-49 04 10 - Fax: 34 - 958-46 66 45
 FABRICACIÓN DE MAQUINARIA PARA LA CONSTRUCCIÓN
 ESPAÑA

CERTIFICAT DE GARANTIE

SERVICE APRÈS-VENTE

EXEMPLAIRE POUR LE FABRICANT

DONNÉES MACHINE

ETIQUETTE N° DE SERIE

DONNÉES MACHINE

NOM

ADRESSE

C.P./VILLE

PROVINCE/PAYS

Tel.:

Fax:

e-mail

DATE D'ACHAT

Signature et cachet de l'établissement vendeur

Signature du client

CONDITIONS DE GARANTIE

- 1.) SIMA, S.A. garantit ses machines contre tout vice de fabrication et prend ainsi en charge la réparation des matériels livrés durant une période d'un an à partir de la date d'achat. Cette date doit OBLIGATOIREMENT apparaître sur le coupon de GARANTIE adjoint.
- 2.) La garantie couvre exclusivement la main d'oeuvre et la réparation des pièces défectueuses du produit dont le modèle et numéro de série sont indiqués sur le certificat de garantie.
- 3.) Les frais tels que déplacements, hôtels et frais de transport jusqu'aux installations de SIMA S.A. sont à la charge du client.
- 4.) Les vices de fabrication tels que les avaries produites par une utilisation inadéquate, une chute, une poussée de tension, un mauvais coup, une installation électrique inappropriée ne peuvent être considérés sous garantie.
- 5.) Les réparations sous GARANTIE devront être seulement réalisées par SIMA SA ou un autre SAV autorisé. Le bon pour accord de la réparation sous garantie sera octroyé par le service technique de SIMA S.A.
- 6.) La garantie est annulée dans les cas de figure décrits ci-après :
 - a) en cas de modification et/ou manipulation du certificat de garantie.
 - b) au cas où les pièces qui composent le produit ont été réparées, modifiées ou remplacées partiellement ou totalement par un atelier ou personnel non autorisé par le service technique de SIMA S.A.
 - c) Lorsque des pièces ou dispositifs non homologués par SIMA S.A. sont installées sur le produit.
- 7.) SIMA S.A. n'assume pas la responsabilité des dommages dérivés ou liés à une avarie du produit. Ceux-ci incluent les frais de transport, les appels téléphoniques et la perte de biens personnels ou commerciaux ainsi que la perte de salaire.
- 8.) Pour les moteurs électriques ou à explosion en cas d'avarie pendant la période de garantie, ils doivent être expédiés au siège social de SIMA S.A. ou au SAV autorisé (fabricant du moteur).
- 9.) Le certificat de garantie doit être chez SIMA SA. dans un délai maximum de 30 jours à partir de la date de vente du produit. Pour réclamer la garantie du produit, il faut présenter la facture d'achat dûment cachetée par l'établissement vendeur et le numéro de serie du produit.



SOCIEDAD INDUSTRIAL DE MAQUINARIA ANDALUZA, S.A.
 POL. IND. JUNCARIL, C/ALBUÑOL, PARC. 250
 18220 ALBOLOTE (GRANADA)
 Telf.: 34 - 958-49 04 10 - Fax: 34 - 958-46 66 45
 FABRICACIÓN DE MAQUINARIA PARA LA CONSTRUCCIÓN
 ESPAGNE



SOCIEDAD INDUSTRIAL DE MAQUINARIA ANDALUZA, S.A.

POL. IND. JUNCARIL, C/ALBUÑOL, PARC. 250

18220 ALBOLOTE (GRANADA)

Telf.: 34 - 958-49 04 10 – Fax: 34 - 958-46 66 45

FABRICACIÓN DE MAQUINARIA PARA LA CONSTRUCCIÓN

ESPAGNE

1 Información general / General information / Information generale

E Lea y comprenda perfectamente las presentes instrucciones antes de empezar a manejar la máquina. SIMA S.A. agradece la confianza depositada en nuestros fabricados al adquirir una CORTADORA modelo BALI MEKANO. Este manual le proporciona las instrucciones necesarias para su montaje. Antes de poner la máquina en marcha y comenzar a trabajar lea las instrucciones que se incluyen en el soporte digital sobre, utilización, mantenimiento, reparación, seguridad y salud de los usuarios. Si se siguen las citadas instrucciones y se opera como se indica, se obtendrá un servicio seguro y un mantenimiento sencillo. Por ello, la lectura de estos manuales, es obligatoria para cualquier persona que vaya a ser responsable del uso, mantenimiento o reparación de la citada máquina. **Se recomienda tener siempre el manual en un lugar fácilmente accesible donde se esté utilizando la máquina.**

GB Read and understand perfectly the following instructions for use before starting out with the machine. SIMA S.A. appreciates the trust placed in us by purchasing one of our light MASONRY SAWS BALI MEKANO model. This manual provides the instructions for the assembly. before switching on the engine and start to work, check also the instructions you could find in our digital media about use, maintenance, repairs, safety and user's healthy. If the instructions for use are fulfilled and the machine operates in such conditions, it will obtain a safe work and easy maintenance. Therefore, reading instructions is mandatory for any person who will be responsible for the use, maintenance or repair of that machine. **SIMA S.A. recommends to always having the manual in an easily accessible place here the machine is in use.**

F ATTENTION: Lire et comprendre parfaitement les instructions avant de commencer à utiliser la machine. SIMA S.A. vous remercie pour la confiance accordée en nos produits en acquérant un modèle BALI MEKANO. Ce manuel vous donne les instructions nécessaires pour le montage. Avant de mettre la machine en marche et commencer à travailler, lisez les instructions inclus sur le support digital, concernant l'utilisation, la maintenance, éparation, sécurité pour les utilisateurs. Si vous suivez les instructions suivantes, vous obtiendrez un service sur et une maintenance simple. Pour cette raison, la lecture de ces manuels, est obligatoire pour toute personne responsable de l'utilisation, maintenance ou réparation de la machine. **Il est recommandé d'avoir toujours les manuels dans un lieu facile d'accès où s'utilise la machine.**

1.1 Pictogramas / Pictograms / Pictogrammes

LWA 116 dB

- Obligatorio leer manual de instrucciones. **Read instructions manual.** Lire le manuel d'utilisation.
- Obligatorio uso de casco, gafas y protección acústica. **Use helmet and eye and auditive protection.** Utiliser obligatoirement des lunettes, une protection auditive et un casque anti-bruits.
- Obligatorio el uso de calzado de seguridad. **Use safety boots.** Porter des chaussures de sécurité.
- Obligatorio el uso de guantes. **Use safety gloves.** Porter des gants.

110 V - Conexión 110 V / Connection 110 V / Connexion 110 V

230 V - Conexión 230 V / Connection 230 V / Connexion 230 V

400 V - Conexión 400 V / Connection 400 V / Connexion 400 V

10 cm MIN. - Distancia mínima unidad de corte / Minimum distance to obtain maximum cutting length. / Distance minimum unité de découpe.

Prohibido el paso personas ajenas a la obra. Peligro herramienta de corte. **Eng warning - no trespassing. cutting hazard.** Interdiction a toute personne extérieure au chantier. danger outil de découpe.

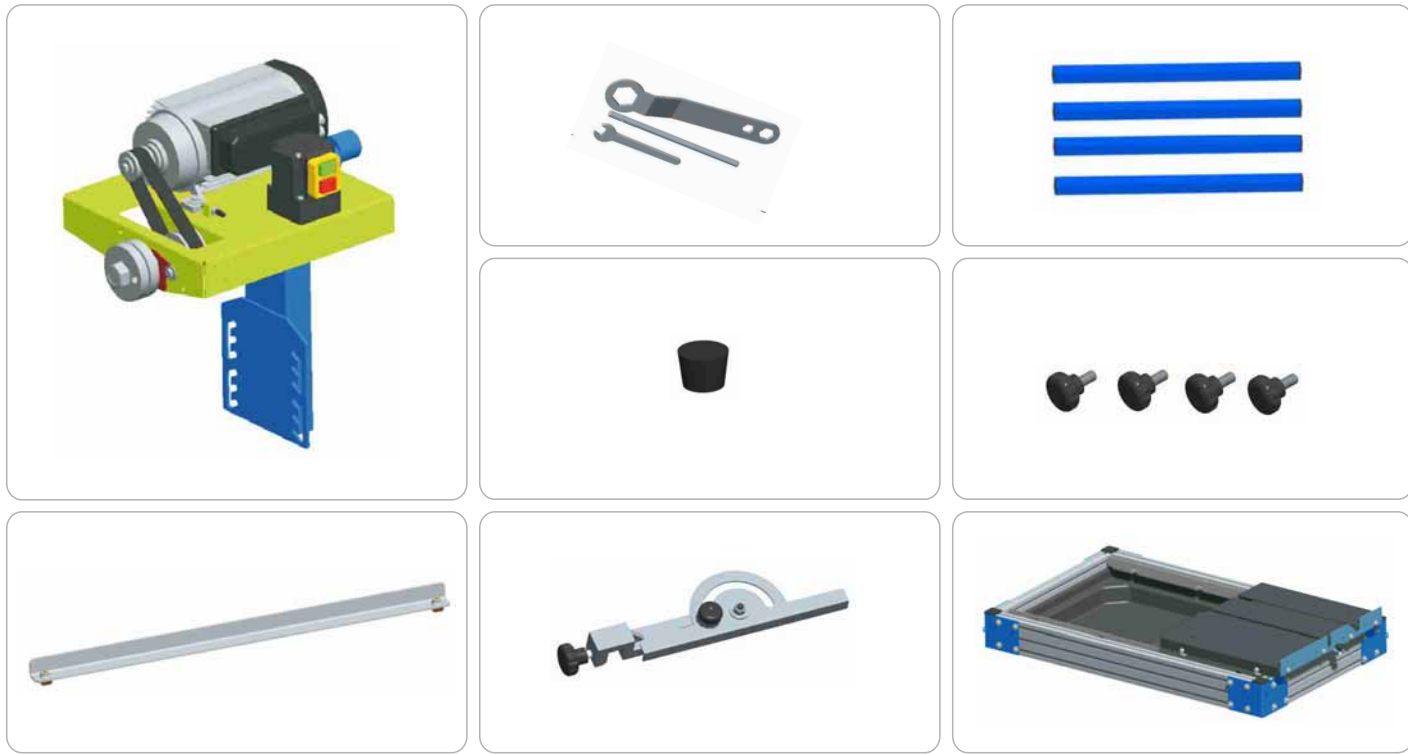
400 / 450 / 500 - Altura disco 400/450/500 mm. / Saw height 400/450/500 mm. / Diametre du disque 400/450/500 mm.

- Superficie caliente. **Eng hot surface.** Surface chaude.
- Regulación altura de corte 300/350. **Cutting height adjustment 300/350.** Réglage de la hauteur de coupe 300/350.
- Peligro atrapamiento. **Danger entrapment.** Risque d'occlusion.
- Regulación longitud de corte. **Cutting length adjustment.** Réglage longueur de coupe.
- Sentido de giro disco. **Rotation.** Rotation.

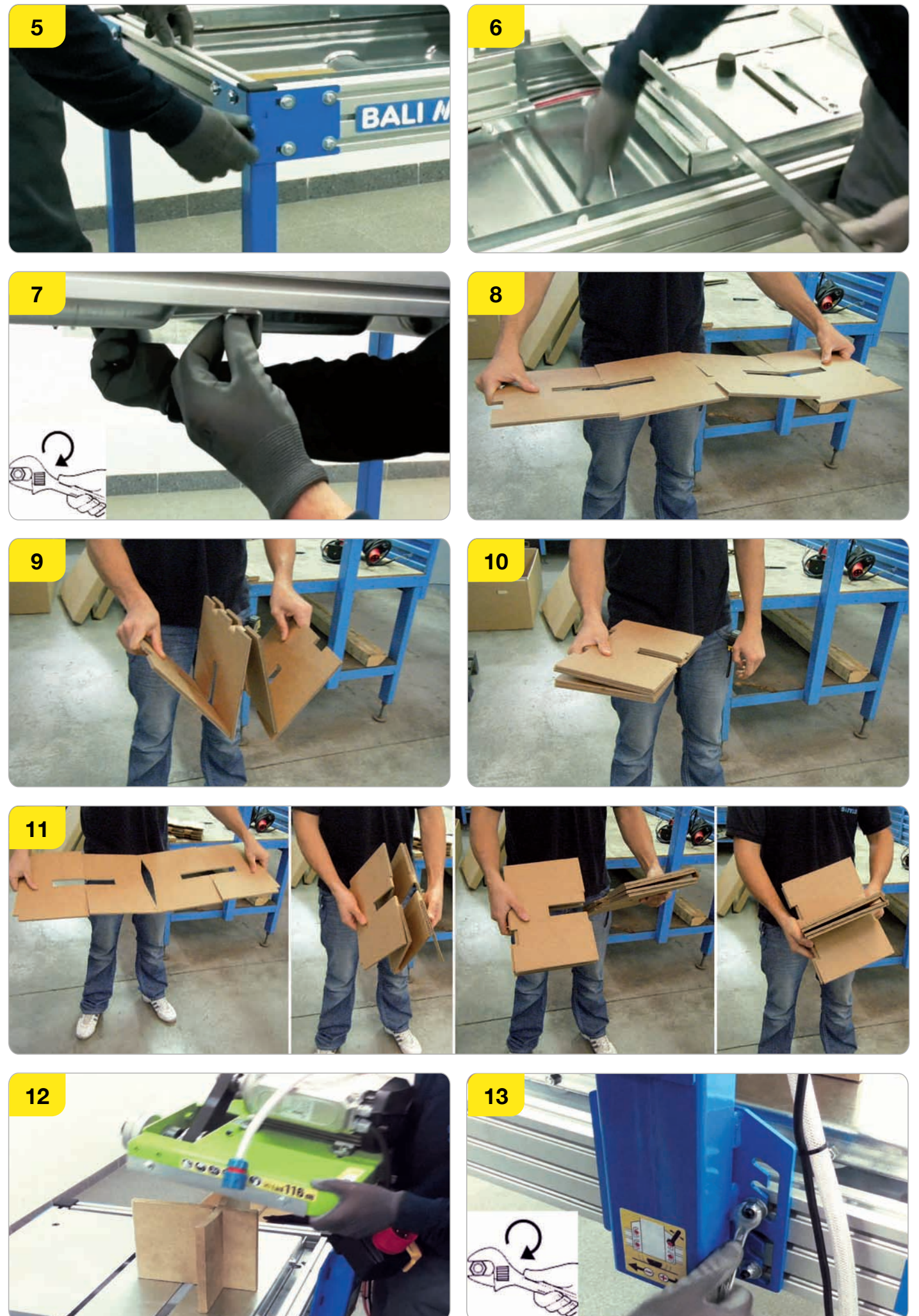
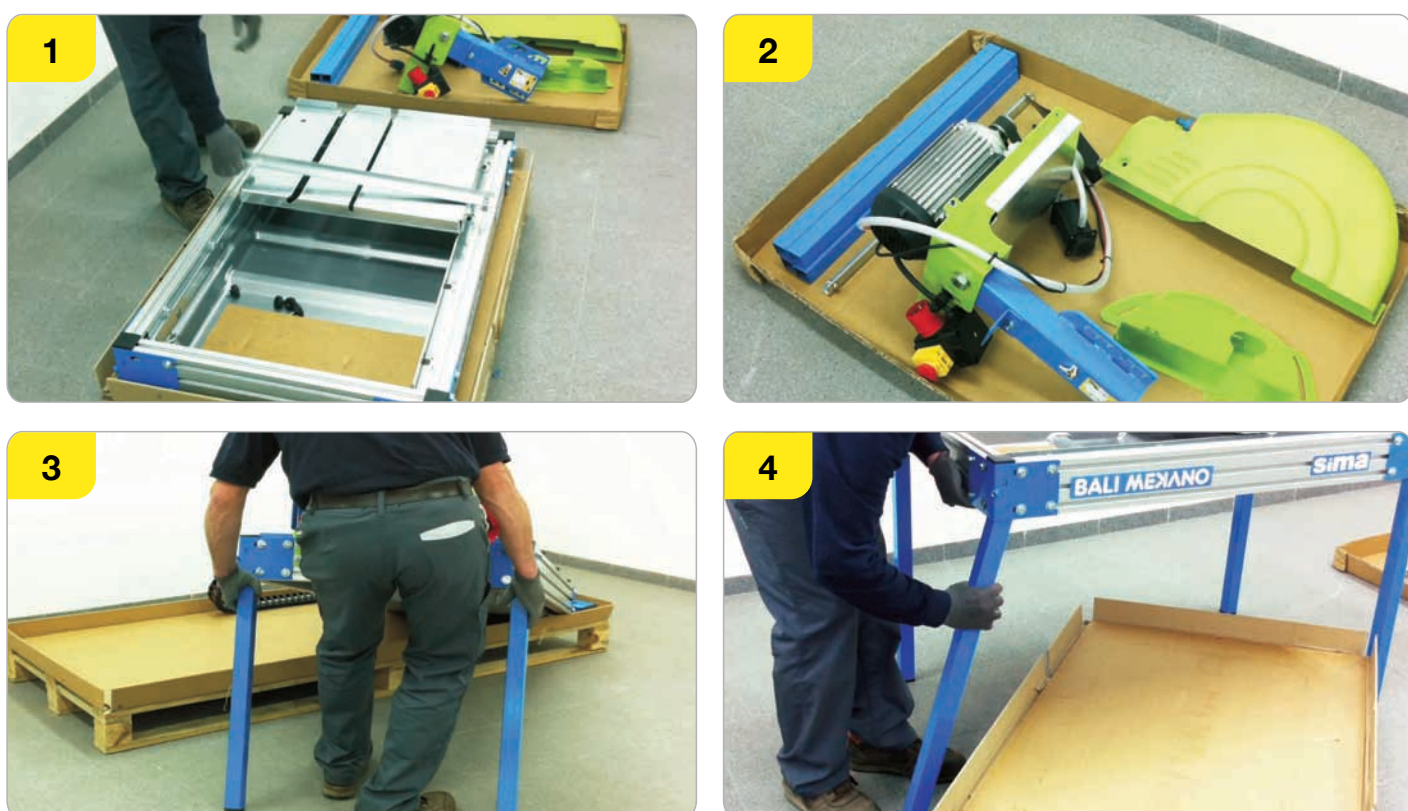
2 Recomendaciones de seguridad / Security recommendations / Recomandations de securite

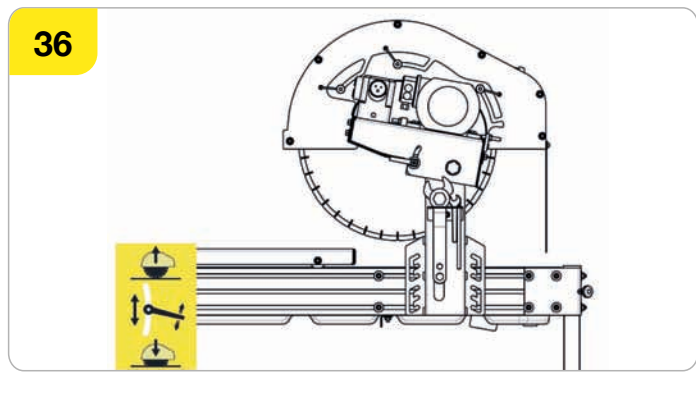
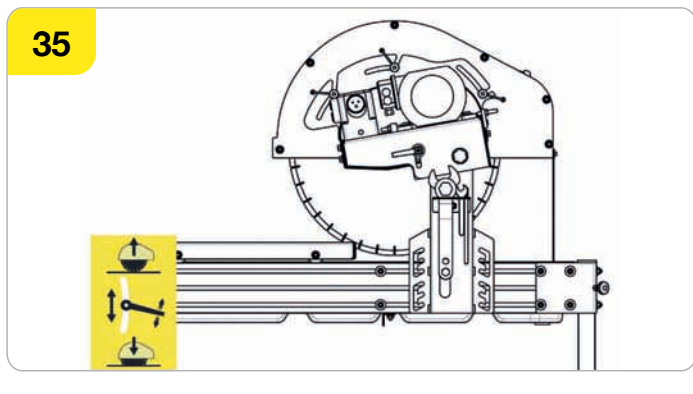
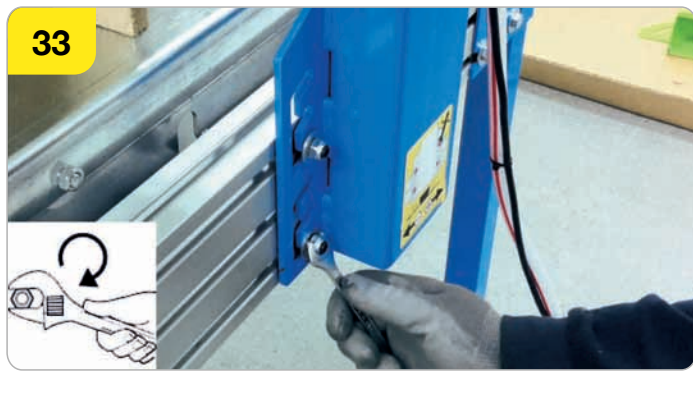
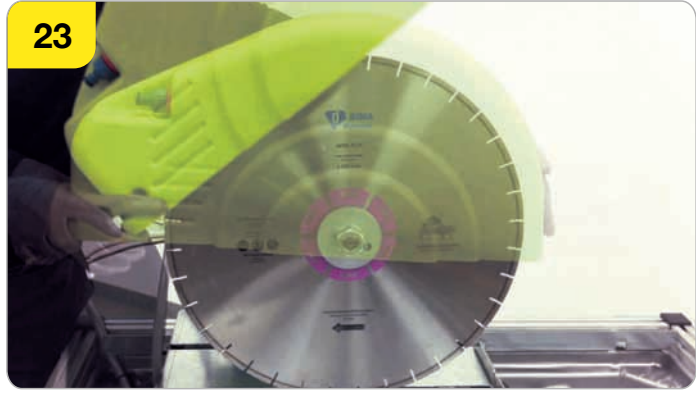
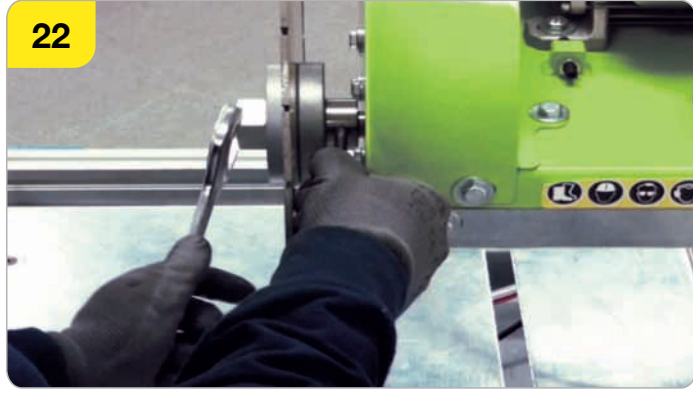
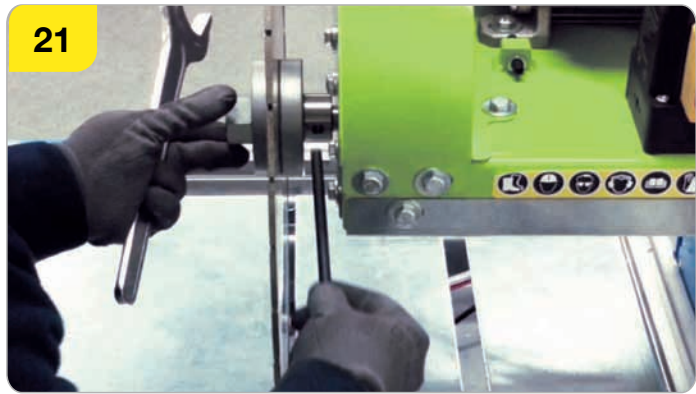
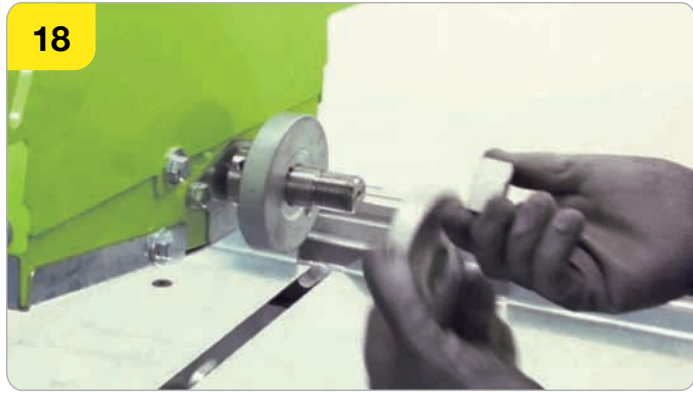
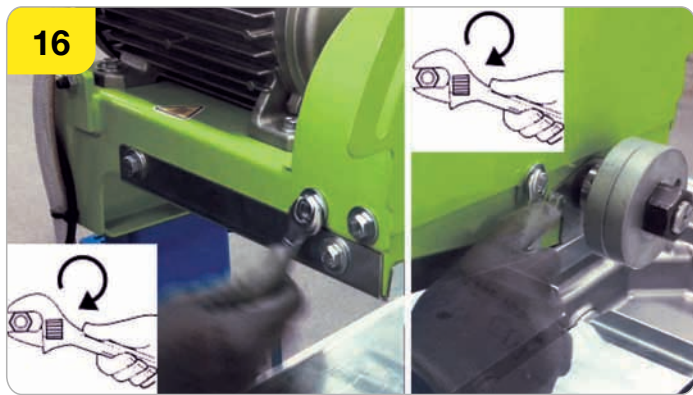
- No lavar con agua a presión las partes eléctricas. **Do not wash electric parts with water pressure.** Ne pas nettoyer les parties électriques avec de l'eau à pression.
- No manipular las partes eléctricas con la máquina conectada. **No handling electrical parts if the engine is turn on.** Ne pas manipuler les parties électriques avec la machine sous alimentation.
- Trabajar con la máquina siempre nivelada. **Always work with the machine in balance.** Travailler toujours avec la machine à niveau.
- Comprobar el voltaje de la máquina con el del cuadro antes de conectar. **Check the machine voltage with box before connecting it.** Vérifier le voltage de la machine sur la fiche.
- Conectar a un magneto térmico normalizado. **Connect to a standard circuit breaker.** Connecter la machine à un circuit électrique aux normes.
- La toma de tierra debe estar conectada siempre antes de la puesta en marcha. **The ground/earth must be always connected before starting out.** La prise de terre doit toujours être connectée.
- Asegúrese de que el voltaje de la red de alimentación a la que va a ser conectada la máquina, coincide con el voltaje que se indica en la etiqueta adhesiva fijada a la máquina. **Make sure the supply network voltage will be the same than stick indicatates.** S'assurer que le voltage de l'alimentation est conforme a celui indiquer sur la bande adhesive fixer a la machine.
- Asegúrese que el cable de extensión de alimentación de la máquina, no entre en contacto con puntos de alta temperatura, aceites, agua, aristas cortantes, evitar que sea pisado o aplastado por el paso de vehículos, así como depositar objetos sobre el mismo. **Make sure the extension cord does not come into contact with high temperature points, oil, water, sharp edges or being stepped or crushing by passing vehicles or place objects on it.** S'assurer que le cable électrique d'alimentation de la machine, n'entre pas en contact avec de hautes températures, de l'huile, de l'eau, éviter le passage de véhicules ou le depot d'objet par-dessus.
- Los cables eléctricos que presenten cortes y roturas deben ser cambiados a la mayor brevedad. **Electrical wires that have cuts and breaks should be replaced as soon as possible.** Les cables électriques presentant des entailles doivent être changer dans les plus brefs délais.
- Mantengan en su posición los elementos y protecciones de seguridad. **Keep in the correct place safeguards and security elements.** Maintenir a sa disposition les éléments de protection de sécurité.
- Utilice siempre los elementos de protección homologados (Guantes, casco de seguridad, Gafas, Botas,...) **Always wear approved protective elements (gloves, safety helmet glasses, boots,...)** Utiliser toujours des moyens de protection homologués (gants, casques, lunettes, bottes,...)
- No utilice la máquina bajo la lluvia y cúbrala con materiales impermeables. Si la máquina ha estado expuesta bajo la lluvia, compruebe antes de conectarla que las partes eléctricas no estén humeadas o mojadas. **Do not use the machine raining. in case of rain, cover the machine with waterproof materials. If the machine has been exposed to the rain, be sure electrical parts are not damp or wet before starting it again.** Ne pas utiliser la machine sous la pluie meme avec protection impermeable. Si la machine a été exposée a la pluie, verifier avant de connecter que les parties électriques ne sont pas mouillées.
- Desconecte la máquina de la red y no manipule ni opere sobre los elementos mecánicos y eléctricos de la máquina con el motor en marcha. **Disconnect the machine from the network and do not handle or operate on the mechanical or electrical machine with the engine running.** Déconnecter la machine pour toute operation de maintenance sur la machine.
- Las máquinas cortadoras deben ser utilizadas por personas que estén familiarizadas con su funcionamiento. **Cutting machines should be used by persons familiar with its operation.** Les tables de decoupes doivent être utilisées par des personnes familiariser a leur usage.
- Sea precavido y no permita la presencia en el entorno de la máquina cuando está en funcionamiento. **Caution. Do not allow the presence in the machine environment when in operation.** Soyez prudent et ne permettez pas la presence de tiers autour de la machine en cours de fonctionnement.
- La ropa de trabajo no debe incluir prendas sueltas que puedan ser atrapadas por las partes móviles de la máquina. **Work clothes should not include loose clothing that can be caught by moving parts of the machine.** Les vêtements de travail ne doivent comporter des parties amples qui pourraient se coincer dans les parties mobiles de la machine.
- Antes de poner en marcha la máquina, lea atentamente las instrucciones y observe el cumplimiento de las normas de seguridad. Aprenda perfectamente a detener la máquina de una forma rápida y segura. **Before starting the machine read the instructions carefully and observes compliance with safety standards. learn well to stop the machine quickly and safely.** Avant de mettre en route la machine, lisez attentivement les instructions et respecter les consignes de sécurité. apprendre a arreter la machine rapidement.
- Asegúrese que la máquina está en perfecto estado técnico y totalmente operativa. **Make sure the machine is in perfect technical condition and fully operational.** S'assurer que la machine est en parfait état technique et totalement opérationnelle.
- No ponga en marcha la máquina si no tiene montadas todas las protecciones y resguardos con que ha sido diseñada. **Do not operate the machine if it does not have assembled all the protections and safeguards that have been designed.** Ne pas mettre en route la machine si toutes les protections ne sont pas montés.
- Cuando tenga que desplazar la máquina hágalo siempre con el motor parado y las partes móviles bloqueadas. **In case you need to move the machine, do it with the engine stopped and moving parts blocked.** Lorsque vous devez déplacer la machine, faite le toujours avec le moteur à l'arrêt et les parties mobiles bloquées.

3 Condiciones de suministro / Delivery conditions / Conditions d'approvisionnement

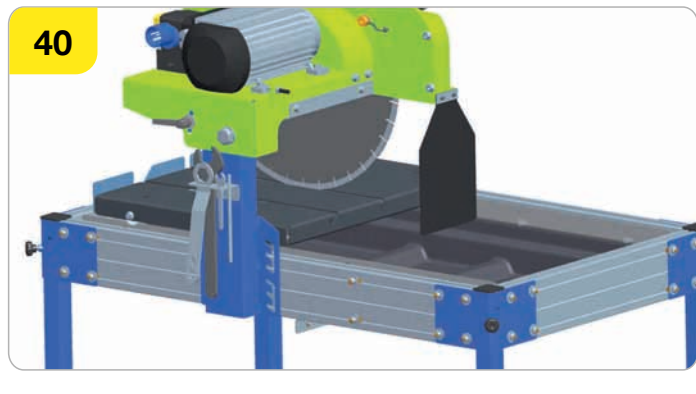
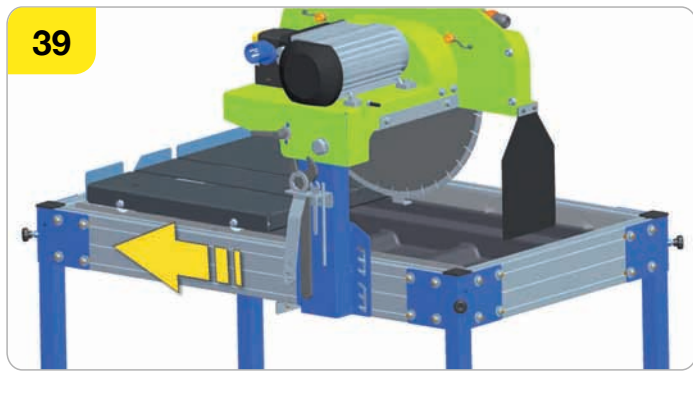
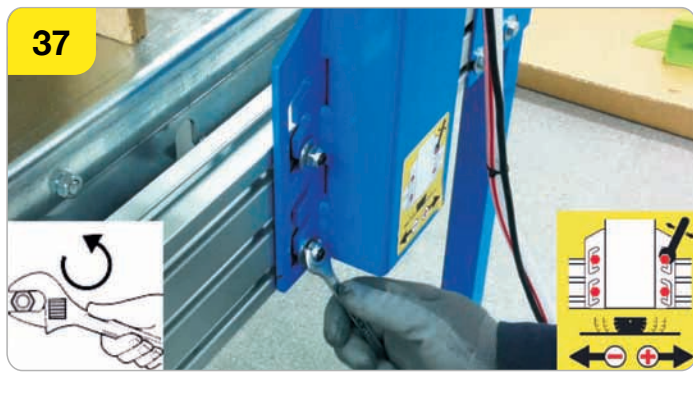


4 Instrucciones de montaje / Assembling instructions / Instructions de montage





7 Cambio longitud de corte / Cutting length change / Changer la longueur de coupe



5 Puesta en marcha / Star up / Mise en marche



6 Cambio Ø400-Ø450-Ø500 / Change Ø400-Ø450-Ø500 / Changement Ø400-Ø450-Ø500



8 Lavado bomba / Water pump clean-up / Nettoyage pompe à eau



Sima, S.A., Pol. Juncaril, C/ Albuñol, Parc.250, 18220 Albolote, GRANADA (Spain)
Telf.: +34 958 490 410
Fax: +34 958 466 645
info@simasa.com

