

# 6" HYDRAULIC SUBMERSIBLE SHREDDER PUMP

## MODELS

### S6SHR

6" (150 mm) Discharge

The S6SHR is designed to continuously rip and shear solids with a 360° shredding action. Great for municipal, industrial, agricultural and institutional waste applications. A guide rail assembly is available for stationary applications.



## FEATURES

- Open-Vane Shredder Impeller with Tungsten Carbide Cutting Tips
- Hardened Macerator Suction Plate
- Oil Lubricated Seals (can run dry)
- Variable Speed hydraulic drive to 1900 rpm
- Versions for Portable or Fixed Installations
- Safe Hydraulic Drive can be used where electric power is hazardous or impractical
- Dependable gear type hydraulic motor
- Operates with our HT35 to HT75 power units or other hydraulic power sources capable of flows of 15 - 30 GPM

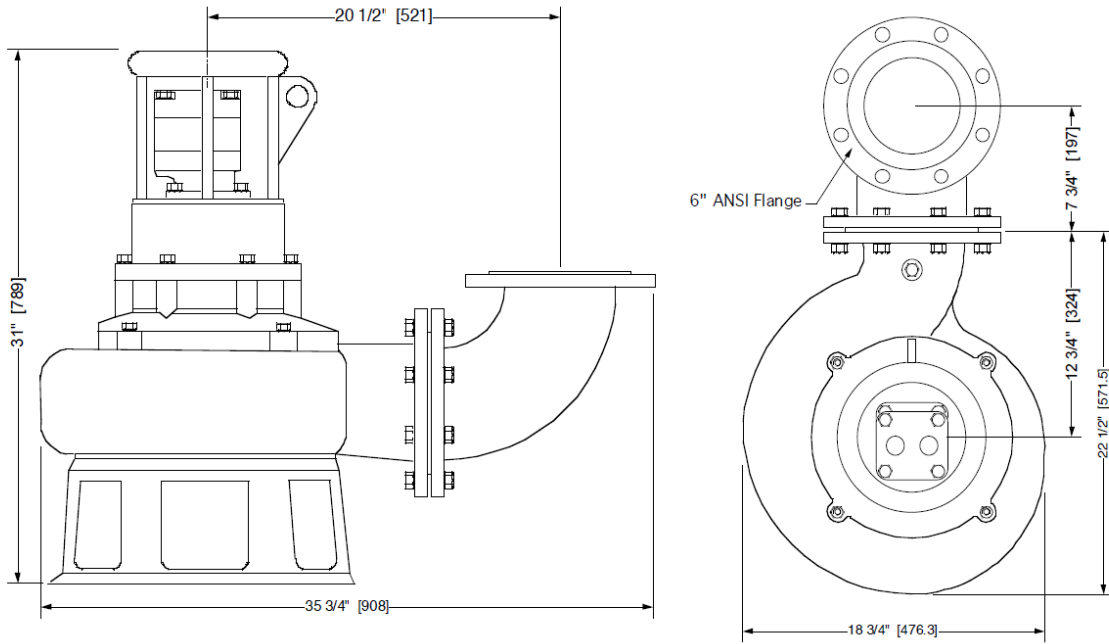
## SPECIFICATIONS

WEIGHT:.....	418 lbs. (190 kg)
HEIGHT:.....	31" (79 cm)
WIDTH (w/Discharge elbow):.....	35 3/4" (91 cm)
(Across Volute).....	18 3/4" (48 cm)
DISCHARGE:.....	6" ANSI Flange
SOLIDS HANDLING:.....	3 1/2" (89 mm)
HOSE PORTS:.....	1" (-16) SAE(F)
PUMP BODY:.....	Ductile Iron
IMPELLER:.....	Ductile Iron
SHREDDER BLADES:.....	Tungsten Carbide
SHAFT:.....	Stainless Steel
SHAFT SEAL:.....	(Upper) Carbon/Ceramic (Lower) Silicon Carbide
ELASTOMERS:.....	Buna N
HYDRAULIC OIL:.....	214-320 s.s.u. @ 100°F (64°C)
INPUT FLOW:.....	Max. 30 GPM (114 LPM)
OPERATING PRESSURE:.....	Max. 3000 PSI (204 Bar)
POWER SOURCE:.....	Any Open Center Hydraulic System

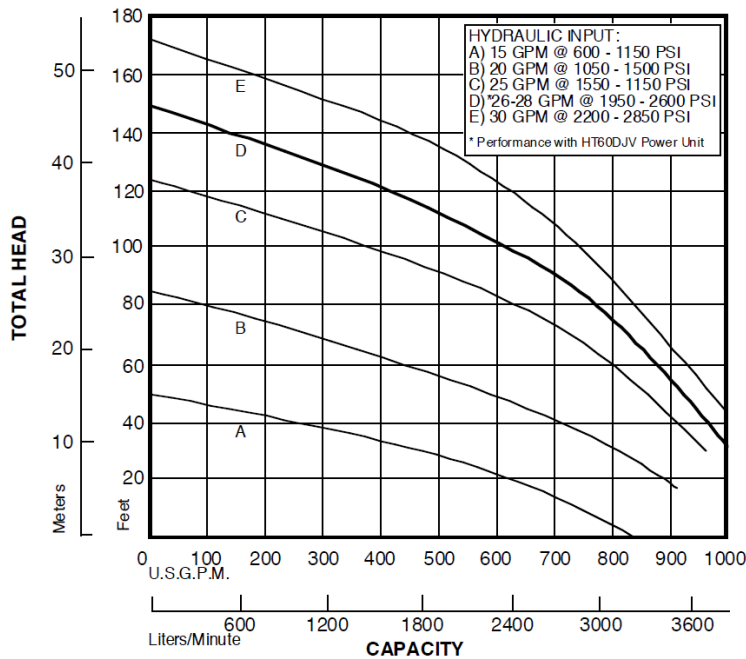
D0516

Specifications are subject to change without notice

## Model S6SHR Overall Dimensions



## S6SHR Typical Performance



Curves are based on pumping water at 60°F. For performance curves other than shown above, consult factory.

