

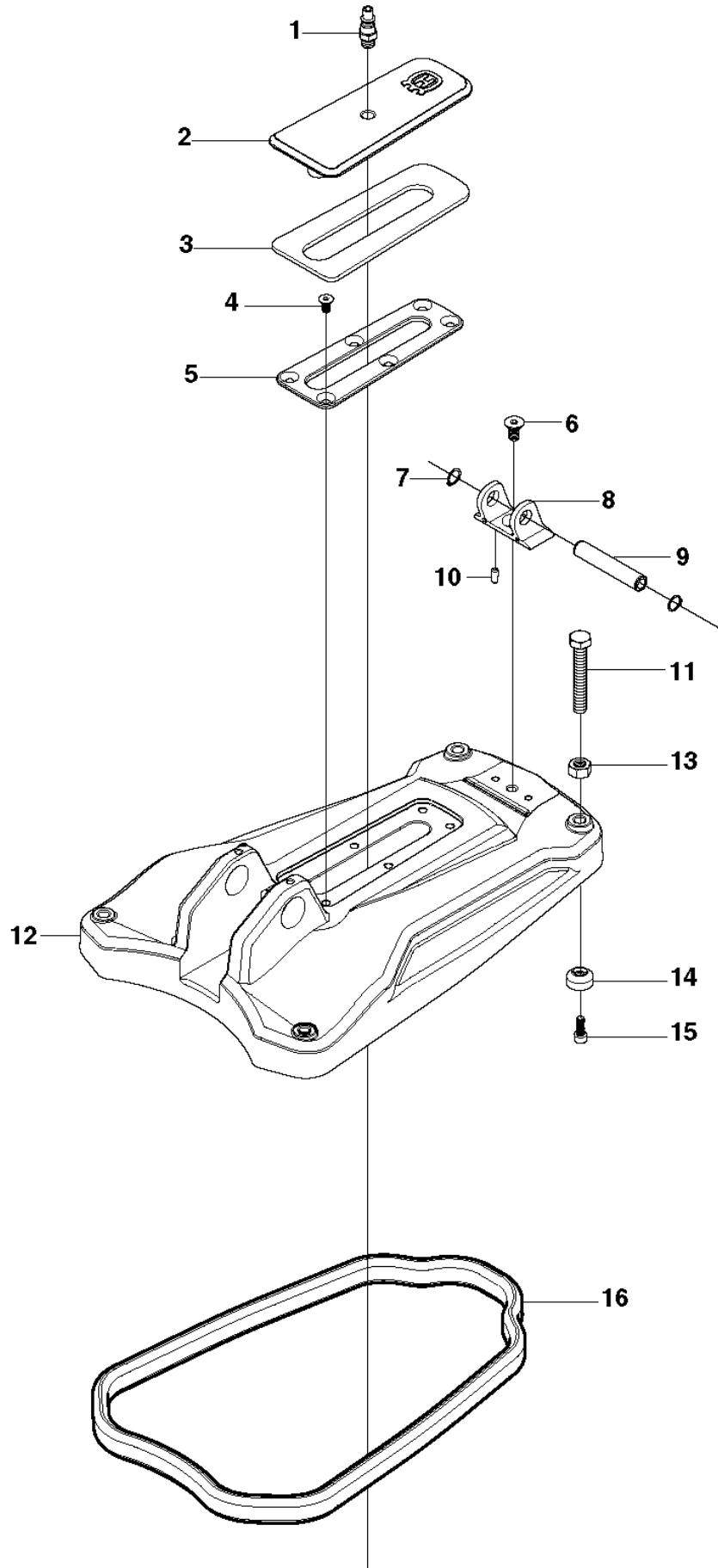


SPARE PARTS LIST

DRILLING EQUIPMENT

DS150, 2008-07

A

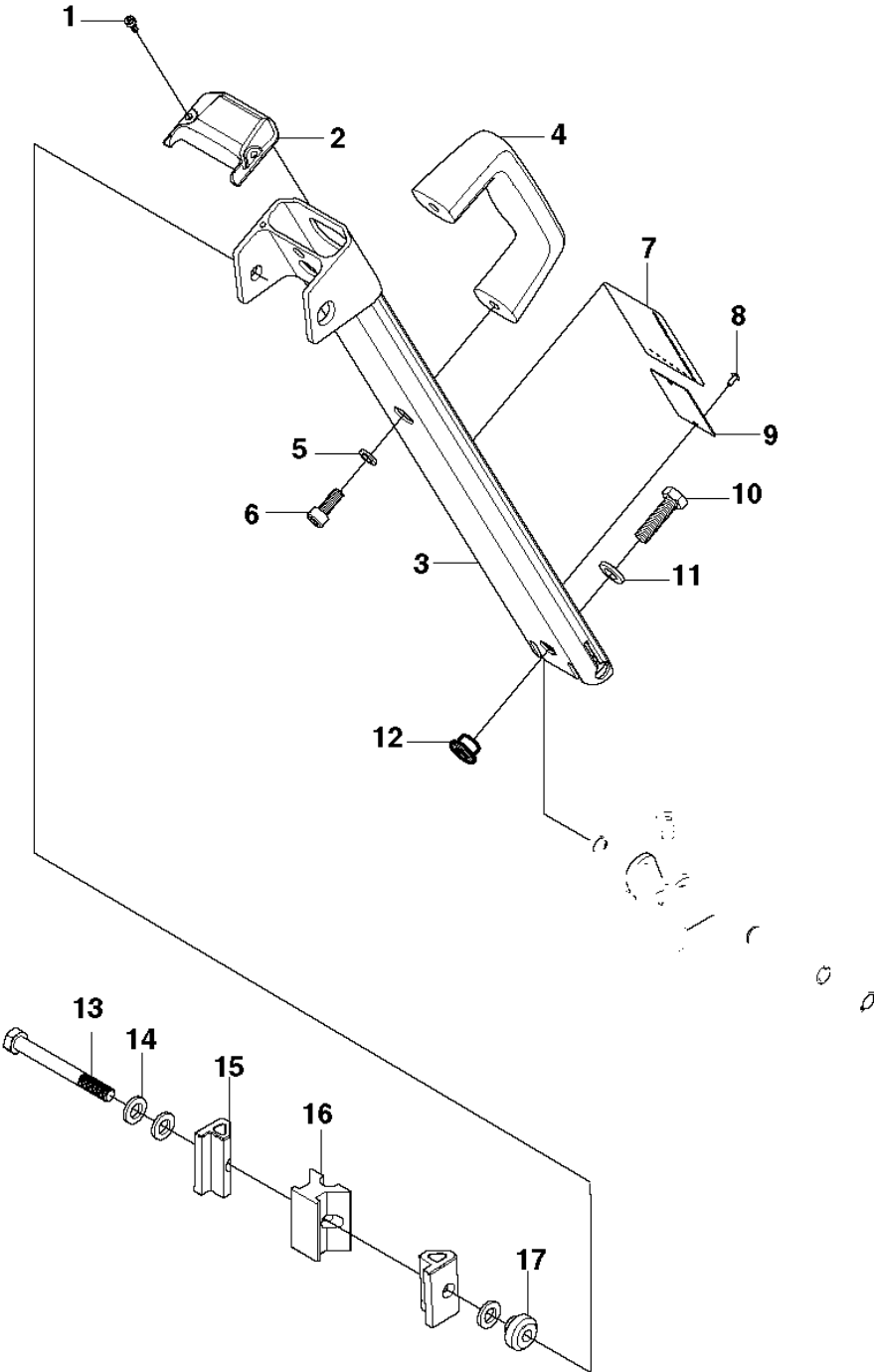


BASE PLATE

DS150, 2008-07

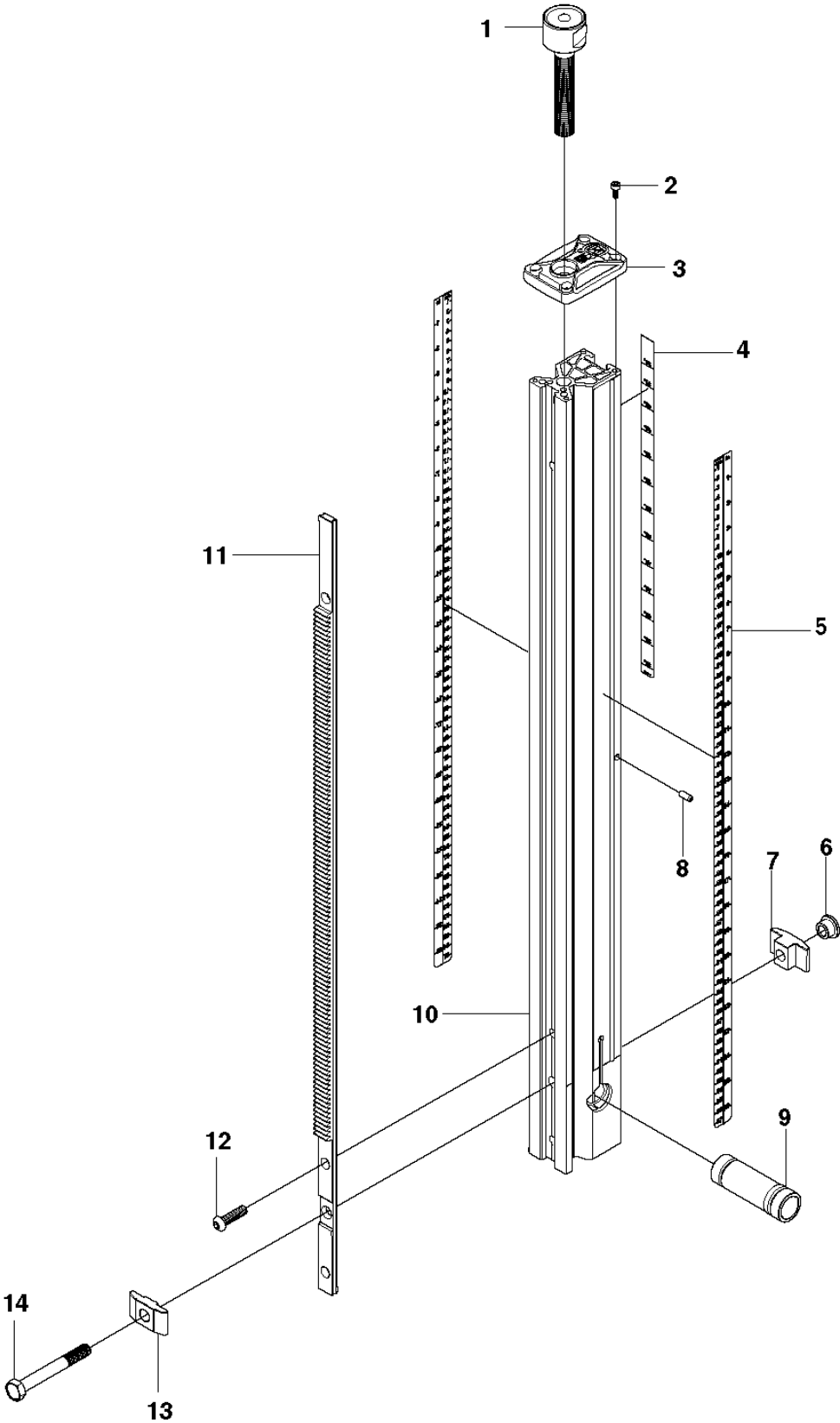
Ref	Part No	Description	Remark	QTY KIT
1	541 40 40-71	NIPPLE		1
2	541 40 49-03	CAP		1
3	725 63 66-01	SCREW IHCSFM		1
4	725 64 49-01	SCREW IHCSFM		1
5	541 40 48-92	GUARD		6
6	725 64 49-01	SCREW IHCSFM		1
7	735 31 15-00	CIRCLIP		2
8	541 40 48-87	BASE		1
9	541 40 50-88	PIVOT		1
10	720 13 06-50	PARALLEL PIN		2
11	541 40 40-80	SCREW		4
12	541 40 48-61	BASE		1
13	731 23 20-01	HEXAGON NUT		4
14	541 40 40-84	SCREW		4
15	725 53 68-01	SCREW IHSCM		1
16	578 93 21-01	GASKET		1

B



Ref	Part No	Description	Remark	QTY KIT
1	725 52 89-01	SCREW IHSCM		2
2	541 40 48-99	GUARD		1
3	541 40 48-84	SUPPORT		1
4	541 40 49-09	HANDLE		1
5	734 11 63-01	WASHER		2
6	725 54 51-01	SCREW IHSCM		2
7	722 78 25-03	RIVET		2
8	541 40 50-96	PLATE		1
9	725 24 97-71	SCREW EHHM		1
10	734 11 72-01	WASHER		1
11	541 40 50-67	COLUMN		1
12	541 40 40-98	DRILL		1
13	725 25 09-51	SCREW EHHM		1
14	734 11 72-01	WASHER		3
15	541 40 48-24	SUPPORT		2
16	541 40 48-22	SUPPORT		1
17	541 40 48-27	BUSHING		1

C

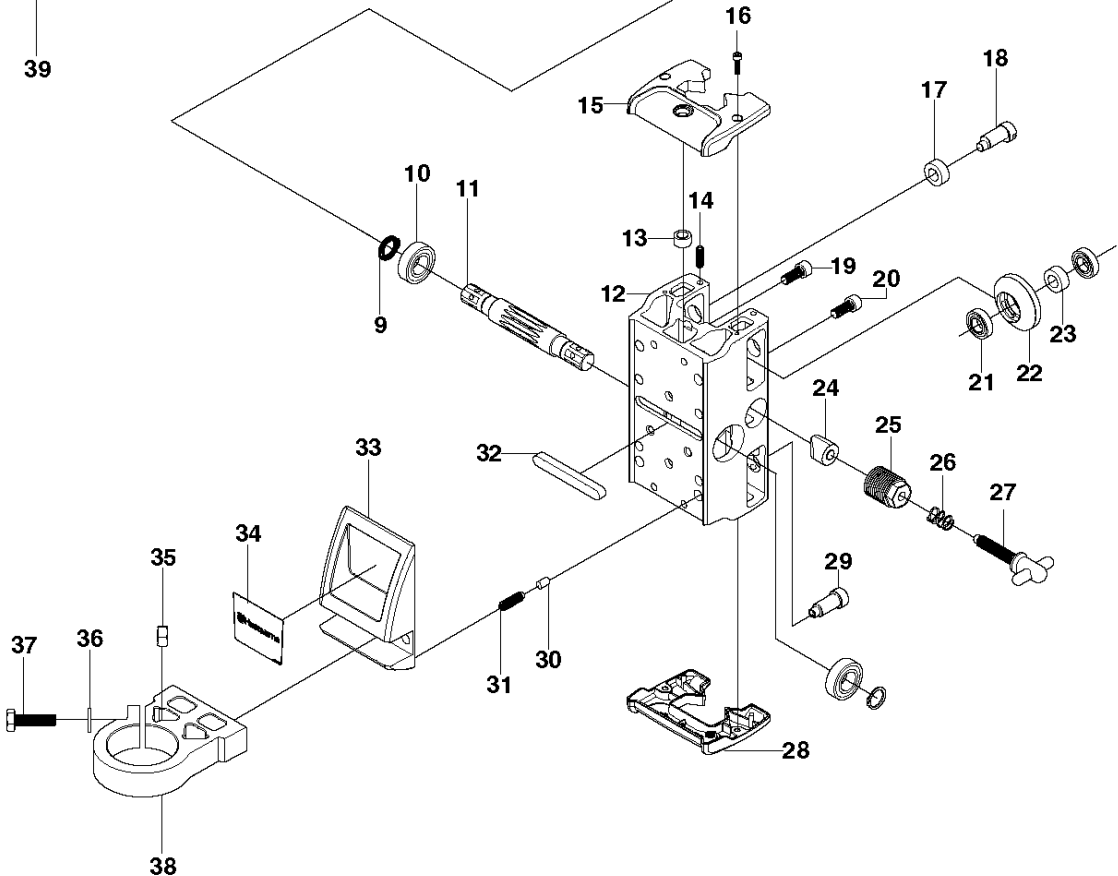
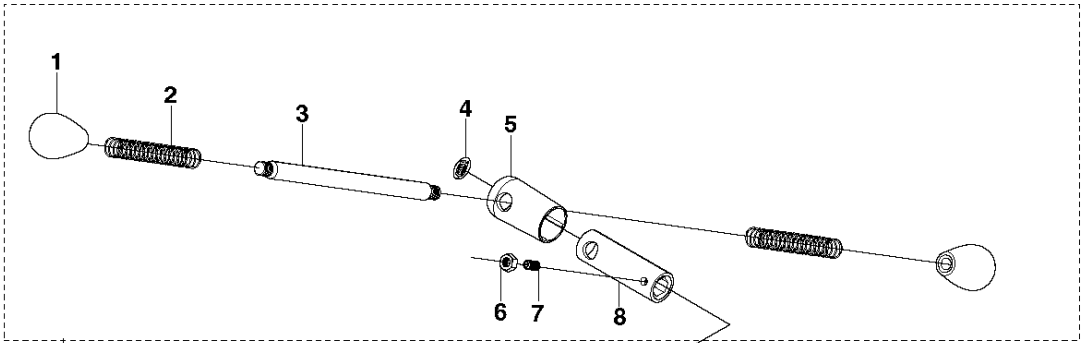


COLUMN ASSY

DS150, 2008-07

Ref	Part No	Description	Remark	QTY KIT
1	541 40 48-09	SCREW		1
2	725 52 89-01	SCREW IHSCM		4
3	541 40 48-68	GUARD		1
4	541 40 48-20	DECAL		1
5	541 40 40-54	DECAL		2
6	541 40 50-67	COLUMN		1
7	541 40 48-70	COLUMN		1
8	720 13 06-50	PARALLEL PIN		2
9	541 40 48-81	COLUMN		1
10	541 40 48-17	COLUMN		1
11	541 40 48-69	COLUMN		1
12	541 40 48-15	SCREW IHPANM		3
13	541 40 48-18	COLUMN		1
14	725 25 07-51	SCREW EHHM		1

D DS150



CARRIAGE

DS150, 2008-07

Ref	Part No	Description	Remark	QTY KIT
1	531 14 06-72	GRIP		2
2	541 40 51-63	SPRING		1
3	541 40 49-05	SHAFT		1
4	541 40 50-47	DECAL		1
5	541 40 51-37	HANDLE		1
6	732 21 18-01	LOCK NUT		2
7	541 40 41-33	BALL		2
8	541 40 40-44	SHAFT		1
9	735 31 19-00	CIRCLIP		4
10	738 21 03-04	BALL BEARING		1
11	587 92 23-01	DRIVE SHAFT		2
12	541 40 47-98	CARRIAGE		4
13	541 40 50-36	LEVEL		2
14	728 73 70-01	SCREW IHSETM		4
15	541 40 48-00	GUARD		1
16	725 52 93-01	SCREW IHSCM		1
17	541 40 48-03	ECCENTRIC BUSHING		1
18	541 40 48-05	ECCENTRIC DISC		1
19	725 54 51-01	SCREW IHSCM		1
20	725 54 51-01	SCREW IHSCM		4
21	589 92 66-01	BALL BEARING		4
22	541 40 48-95	NYLON ROLLER		2
23	541 40 40-36	SPACER		4
24	541 40 48-66	FRICTION BRAKE		1
25	541 40 48-64	BRAKE		1
26	541 40 50-43	SPRING		1
27	541 40 48-16	BRAKE		3
28	541 40 48-62	GUARD		3
29	541 40 48-04	SHAFT		1
30	541 40 40-32	GUIDE		1
31	728 64 53-01	SCREW IHSETM		2
32	582 69 73-05	PARALLEL KEY		1
33	541 40 48-01	PLATE		1
34	541 40 51-36	DECAL		1
35	731 23 20-01	HEXAGON NUT		8
36	734 11 72-01	WASHER		4
37	725 25 00-71	SCREW EHHM		1
38	541 40 48-02	COLLAR		1
39	541 40 41-01	LEVER		1